



B2000 up to 04/2006

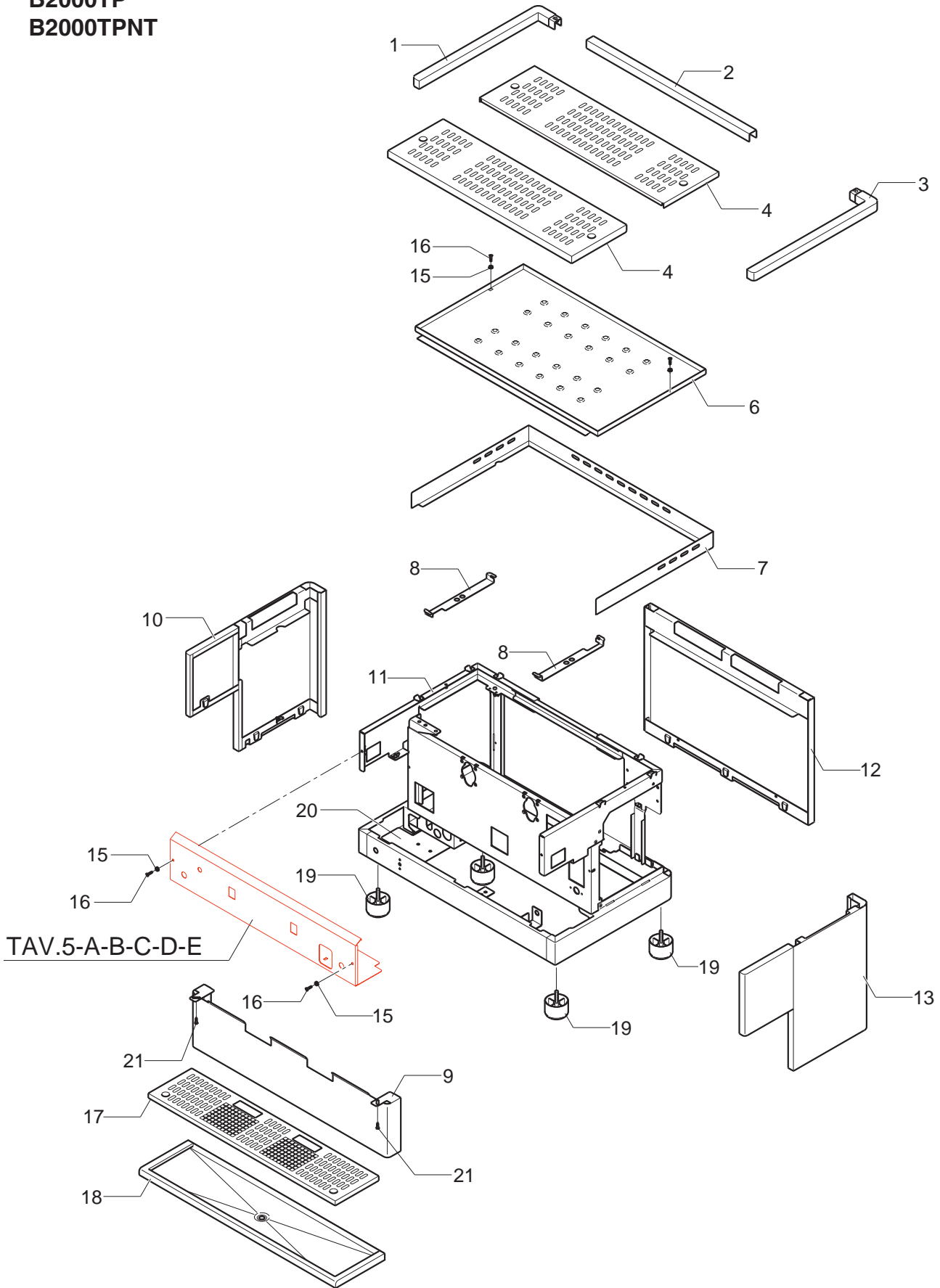




POS	DESCRIPTION	CODE	REFERENCE
01	LEFT CUPS-HEATER FRAME PLASTIC CHROMED	5370906.....	-
02	CENTRAL PROFILE 1GR.....	5096007LW.....	-
02	CENTRAL PROFILE 2GR.....	5096008LW.....	-
02	CENTRAL PROFILE 2GR COMPACT	5096020LW.....	-
02	CENTRAL PROFILE 3GR.....	5096009LW.....	-
02	CENTRAL PROFILE 4GR.....	5096010LW.....	-
03	RIGHT FRAME PLASTIC CHROMED	5370907.....	-
04	CUPS-HEATER GRID 1GR.....	5074529LW.....	ERG B3027
04	CUPS-HEATER GRID 2GR.....	5074530LW.....	ERG B3028
04	CUPS-HEATER GRID 2GR COMPACT	5074572LW.....	-
04	CUPS-HEATER GRID 3GR.....	5074531LW.....	ERG B3029
04	CUPS-HEATER GRID 4GR.....	5074532LW.....	ERG B3030
06	CUPS-HEATER 1GR.....	5056305LW.....	ERG B3023
06	CUPS-HEATER 1GR + STEAM	5056324LW.....	-
06	CUPS-HEATER 2GR.....	5056306LW.....	ERG B3024
06	CUPS-HEATER 2GR COMPACT	5056322LW.....	-
06	CUPS-HEATER 2GR + STEAM	5056325LW.....	-
06	CUPS-HEATER 3GR.....	5056307LW.....	ERG B3025
06	CUPS-HEATER 4GR.....	5056308LW.....	ERG B3026
07	CUPS-HEATER PROFILE 1GR	5076308LW.....	ALB 3037
07	CUPS-HEATER PROFILE 2GR	5076307LW.....	ALB 3038
07	CUPS-HEATER PROFILE 2GR COMPACT	5076318LW.....	-
07	CUPS-HEATER PROFILE 3GR	5076309LW.....	ALB 3016
07	CUPS-HEATER PROFILE 4GR	5076306LW.....	ALB 3039
08	BRACKET FOR BOILER SUPPORT	5018104LW.....	-
09	GROUP FRONTAL 1GR	5094236LW.....	-
09	GROUP FRONTAL 1GR + GAS.....	5094240LW.....	-
09	GROUP FRONTAL 1GR + GLASS LEVER.....	5094321LW.....	-
09	GROUP FRONTAL 2GR	5094237LW.....	-
09	GROUP FRONTAL 2GR (1GR + BULK UNIT + GLASS LEVER).....	5094216LW.....	-
09	GROUP FRONTAL 2GR COMPACT	5094245LW.....	KLEINE 22
09	GROUP FRONTAL 2GR COMPACT + GLASS LEVER	5094330LW.....	-
09	GROUP FRONTAL 2GR + GAS.....	5094241LW.....	-
09	GROUP FRONTAL 2GR + GLASS LEVER.....	5094319LW.....	-
09	GROUP FRONTAL 2GR + GLASS LEVER + GAS.....	5094399LW.....	-
09	GROUP FRONTAL 3GR	5094238LW.....	-
09	GROUP FRONTAL 3GR (2GR + BULK UNIT).....	5094398LW.....	-
09	GROUP FRONTAL 3GR + GAS.....	5094242LW.....	-
09	GROUP FRONTAL 3GR + GLASS LEVER.....	5094323LW.....	-
09	GROUP FRONTAL 4GR	5094239LW.....	-
09	GROUP FRONTAL 4GR + GAS.....	5094243LW.....	-
09	GROUP FRONTAL 4GR + GLASS LEVER.....	5094400LW.....	-
10	LEFT COMPLETE LATERAL SIDE 1-2-3-4 GR GOLD.....	5345537DT	-
10	LEFT COMPLETE LATERAL SIDE 1-2-3-4 GR STAINLESS STEEL SATINED.....	5345537.....	-
10	LEFT COMPLETE LATERAL SIDE 1-2-3-4 GR BLACK	5345528VM	-
10	LEFT COMPLETE LATERAL SIDE 1-2-3-4 GR RED RAL 3000	5345528VT	-
10	LEFT COMPLETE LATERAL SIDE 1-2-3-4 GR RED RAL 3005	5345528YA	-
11	ASSEMBLY CHASSIS 1GR	5345561.....	-
11	ASSEMBLY CHASSIS 1GR + GAS RG10	5345585.....	-
11	ASSEMBLY CHASSIS 1GR + GAS RG20	5345586.....	-
11	ASSEMBLY CHASSIS 1GR + BASEMENT SWITCH	5345587.....	-
11	ASSEMBLY CHASSIS 1GR + BASEMENT SWITCH + GLASS LEVER	5345562.....	-
11	ASSEMBLY CHASSIS 2GR	5345563.....	-
11	ASSEMBLY CHASSIS 2GR COMPACT	5345565.....	-
11	ASSEMBLY CHASSIS 2GR COMPACT + BAS. SWITCH + GLASS LEVER.....	5345593.....	-
11	ASSEMBLY CHASSIS 2GR + GAS RG10	5345588.....	-
11	ASSEMBLY CHASSIS 2GR + GAS RG20	5345589.....	-
11	ASSEMBLY CHASSIS 2GR + BAS.SWITCH + GLASS LEVER + GAS RG10.....	5345591.....	-
11	ASSEMBLY CHASSIS 2GR + BAS.SWITCH + GLASS LEVER + GAS RG20.....	5345592.....	-
11	ASSEMBLY CHASSIS 2GR + BASEMENT SWITCH	5345590.....	-
11	ASSEMBLY CHASSIS 2GR + BASEMENT SWITCH + GLASS LEVER	5345564.....	-

Mod. B2000DE
B2000PM
B2000MN
B2000TE
B2000TP
B2000TPNT

Tav. 01



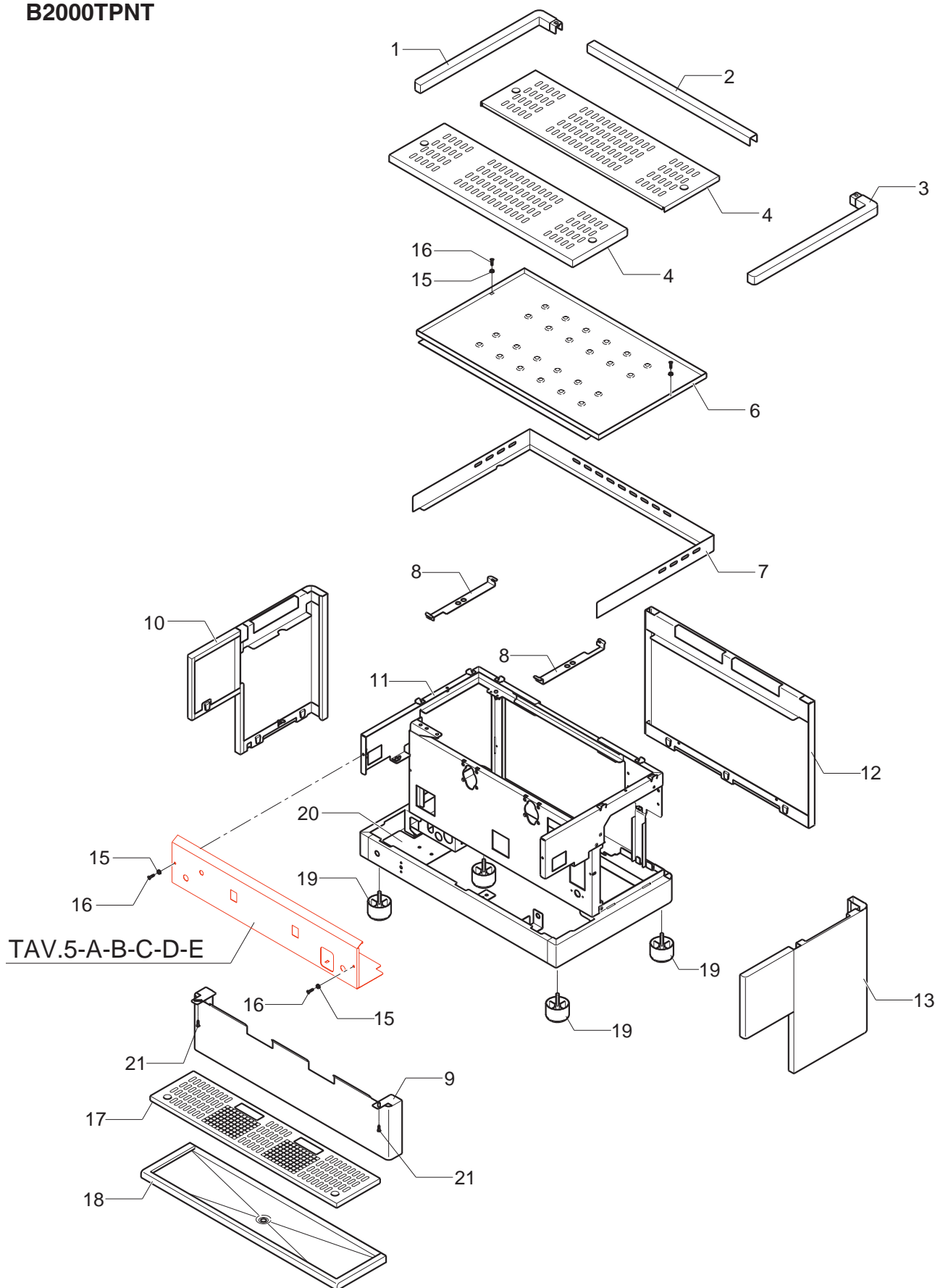


POS	DESCRIPTION	CODE	REFERENCE
11	ASSEMBLY CHASSIS 3GR	5345566.....	-
11	ASSEMBLY CHASSIS 3GR + GAS RG10	5345594.....	-
11	ASSEMBLY CHASSIS 3GR + GAS RG20	5345595.....	-
11	ASSEMBLY CHASSIS 3GR + BAS.SWITCH + GLASS LEVER + GAS RG10.....	5345597.....	-
11	ASSEMBLY CHASSIS 3GR + BAS.SWITCH + GLASS LEVER + GAS RG20.....	5345598.....	-
11	ASSEMBLY CHASSIS 3GR + BASEMENT SWITCH	5345596.....	-
11	ASSEMBLY CHASSIS 3GR + BASEMENT SWITCH + GLASS LEVER	5345567.....	-
11	ASSEMBLY CHASSIS 4GR	5345568.....	-
11	ASSEMBLY CHASSIS 4GR + GAS RG10	5345599.....	-
11	ASSEMBLY CHASSIS 4GR + GAS RG20	5345600.....	-
11	ASSEMBLY CHASSIS 4GR + BAS.SWITCH + GLASS LEVER + GAS RG10.....	5345602.....	-
11	ASSEMBLY CHASSIS 4GR + BAS.SWITCH + GLASS LEVER + GAS RG20.....	5345603.....	-
11	ASSEMBLY CHASSIS 4GR + BASEMENT SWITCH	5345601.....	-
11	ASSEMBLY CHASSIS 4GR + BASEMENT SWITCH + GLASS LEVER	5345569.....	-
12	CENTRAL PANEL 2GR COMPACT STAINLESS STEEL SATINED	5095188LW.....	-
12	CENTRAL PANEL 2GR COMPACT RED RAL 3000.....	5015155VT	-
12	CENTRAL PANEL 2GR COMPACT RED RAL 3005.....	5015155YA	-
12	CENTRAL PANEL 1GR GOLD.....	5095116DT	-
12	CENTRAL PANEL 1GR STAINLESS STEEL SATINED.....	5095116LW.....	-
12	CENTRAL PANEL 1GR BLACK	5015107VM	-
12	CENTRAL PANEL 1GR RED RAL 3000	5015107VT	-
12	CENTRAL PANEL 1GR RED RAL 3005	5015107YA	-
12	CENTRAL PANEL 2GR COMPACT GOLD	5095188DT	-
12	CENTRAL PANEL 2GR COMPACT BLACK.....	5015155VM	-
12	CENTRAL PANEL 2GR GOLD.....	5095105DT	-
12	CENTRAL PANEL 2GR STAINLESS STEEL SATINED.....	5095105LW.....	-
12	CENTRAL PANEL 2GR BLACK	5015105VM	-
12	CENTRAL PANEL 2GR RED RAL 3000	5015105VT	-
12	CENTRAL PANEL 2GR RED RAL 3005	5015105YA	-
12	CENTRAL PANEL 3GR GOLD.....	5095118DT	-
12	CENTRAL PANEL 3GR STAINLESS STEEL SATINED.....	5095118LW.....	-
12	CENTRAL PANEL 3GR BLACK	5015109VL	-
12	CENTRAL PANEL 3GR RED RAL 3000	5015109VT	-
12	CENTRAL PANEL 3GR RED RAL 3005	5015109YA	-
12	CENTRAL PANEL 4GR GOLD.....	5095120DT	-
12	CENTRAL PANEL 4GR STAINLESS STEEL SATINED.....	5095120LW.....	-
12	CENTRAL PANEL 4GR BLACK	5015111VM	-
12	CENTRAL PANEL 4GR RED RAL 3000	5015111VT	-
12	CENTRAL PANEL 4GR RED RAL 3005	5015111YA	-
13	RIGHT COMPLETE LATERAL SIDE 1-2-3-4 GR GOLD	5345538DT	-
13	RIGHT COMPLETE LATERAL SIDE 1-2-3-4 GR STAINLESS STEEL SATINED	5345538.....	-
13	RIGHT COMPLETE LATERAL SIDE 1-2-3-4 GR BLACK.....	5345527VM	-
13	RIGHT COMPLETE LATERAL SIDE 1-2-3-4 GR RED RAL 3000.....	5345527VT	-
13	RIGHT COMPLETE LATERAL SIDE 1-2-3-4 GR RED RAL 3005.....	5345527YA	-
15	WASHER FOR SPRING D4 H3 OT NICKEL-PLATED	5221846.....	N 1221
16	SCREW TPS M4 X 16.....	7817801	F 1599
17	DRIP TRAY GRID 1GR	5094504LW.....	B 3194
17	DRIP TRAY GRID 2GR	5094505LW.....	B 3195
17	DRIP TRAY GRID 2GR COMPACT.....	5094521LW.....	KLEINE 36
17	DRIP TRAY GRID 3GR	5094506LW.....	B 3196
17	DRIP TRAY GRID 4GR	5094507LW.....	B 3197
18	DRIP TRAY 1GR POLISHED	5070615LL	-
18	DRIP TRAY 2GR COMPACT POLISHED.....	5070624LL.....	VERA 74
18	DRIP TRAY 2GR COMPACT POLISHED.....	5070616LL.....	-
18	DRIP TRAY 3GR COMPACT POLISHED.....	5070617LL.....	B 3318
18	DRIP TRAY 4GR COMPACT POLISHED.....	5070618LL.....	B 3319
19	GREY	7474210	-
20	ELECTRIC BOX SUPPORT	5038406LL.....	-
21	SCREW TE M5X10 UNI 5739 A2	7816410.....	F 804

Mod. B2000DE
B2000PM
B2000MN
B2000TE
B2000TP
B2000TPNT

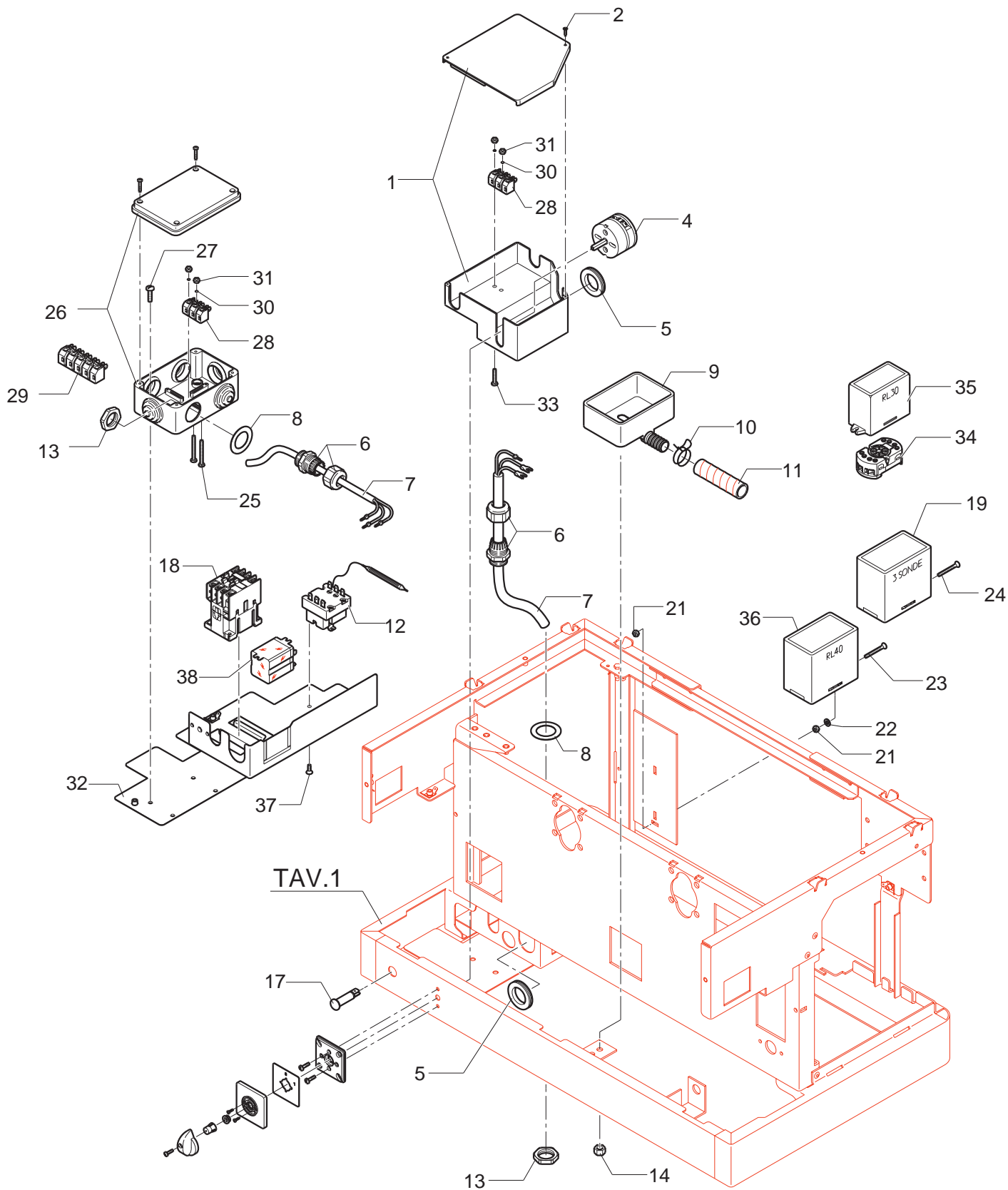
Tav. 01

BEZZERA
dal 1901



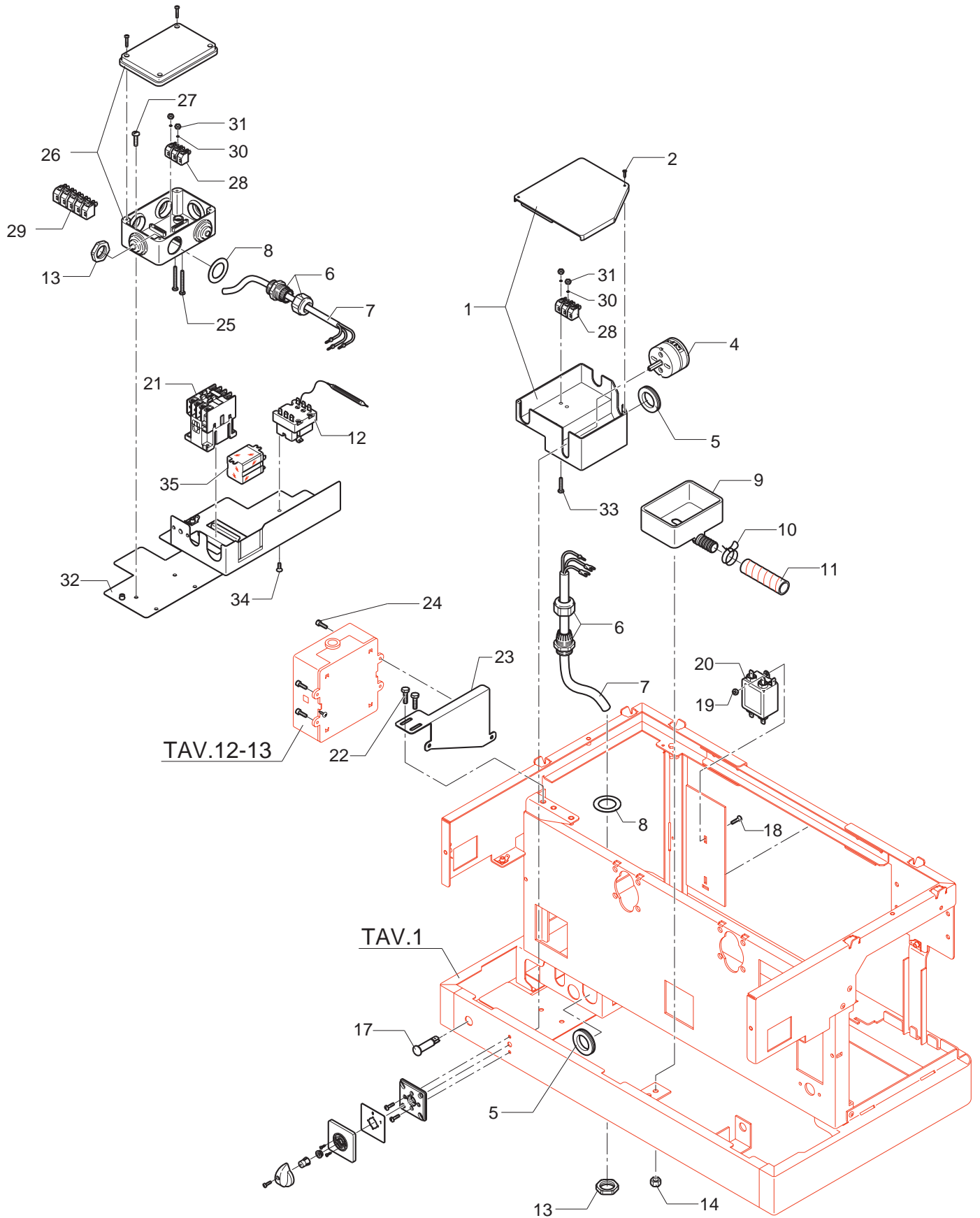


POS	DESCRIPTION	CODE	REFERENCE
01	ELECTRIC SYSTEM BOX	5373302.....	J 143
02	TAPPING SCREW TPS D2.9X9.5 UNI 6952 A2	7819402.....	F 841
04	BASEMENT SWITCH 1 POS.25A	7633306.....	V 1584
04	BASEMENT SWITCH 1 POSITION THREE-PHASE.....	7633315.....	V 1585
04	BASEMENT SWITCH 2 POSITIONS 4 CONTACTS	7633305.....	V 1591
04	BASEMENT SWITCH 2 POSITIONS 6 CONTACTS	7633311.....	V 1594
05	FAIRLEAD P63 RUBBER.....	7613001.....	J 221
06	CABLE-PRESS PG16 POLYAMIDE.....	7614001.....	J 486
06	CABLE-PRESS PG21 POLYAMIDE.....	7614002.....	J 488
07	CONNECTING CABLE H07RNF 4X2,5 MM^2 L=2MT (1-2GR 220/230V 2F+N+T)	3553602.....	-
07	CONNECTING CABLE H07RNF 4X4MM^2 L=3MT (3-4GR 220/230V 2F+N+T)	3553601.....	-
07	CONNECTING CABLE H07RNF 3X2,5 MM^2 L=2MT (1-2GR 220/240V)	3552401.....	-
07	CONNECTING CABLE H07RNF 3X4 MM^2 L=3MT (3-4GR 220V-240V)	3552703.....	-
07	CONNECTING CABLE H07RNF 5X2,5 MM^2 L=3MT (1-2-3-4GR 380-230/400V).....	3553904.....	-
07	CABLE SOOW 3X10AWG L=2,2MT (110V-220V USA).....	3556003.....	-
07	CONNECTING CABLE SJTO 3X12 AWG L=2MT (1GR 110V-220V USA)	3551501.....	-
08	WASHER D26X40X1 AISI 304	5999903.....	-
09	DRIP TRAY WITH SCREW	5373602.....	F 1209
10	CLAMP D22 FE.....	7611501.....	F 1266
11	HOSE D22 L=2MT PLASTIC	7303501.....	F 1299
12	THERMOSTAT MANUAL.....	7434001.....	U/6 2346
13	NUT PG16 POLYAMIDE.....	7614003.....	J 487
13	NUT PG21 POLYAMIDE.....	7614004.....	J 489
14	NUT M6 UNI 5587 OT.....	7821403.....	F 992
17	ORANGE LAMP 110V	7633607.....	T 1482/110
17	ORANGE LAMP 220/240V	7633609.....	T 1482/220
18	REMOTE CONTROL SWITCH 110V	7636901.....	J 845
18	REMOTE CONTROL SWITCH 220/230V (UP TO 05/05/05).....	7636902.....	J 836
18	REMOTE CONTROL SWITCH 240V	7636903.....	J 844
19	LEVEL REGULATOR RL 3 PROBES 100/110V	7661011.....	J 519/110
19	LEVEL REGULATOR RL 3 PROBES 110/120V	7661012.....	J 519/120
19	LEVEL REGULATOR RL 3 PROBES 220/230V	7661003.....	J 519/230
19	LEVEL REGULATOR RL 3 PROBES 240V	7661013.....	J 519/240
21	NUT M4 OT	7822603.....	F 744
22	WASHER D5X1 UNI 6592 OT.....	7825003.....	D/B 529
23	SCREW TPS M4X35 DIN 963 OT.....	7827007.....	F 1614
24	TAPPING SCREW TPS D4.8X16 UNI 6955 A2	7819404.....	F 1382
25	SCREW TE M4X35 UNI 5739 OT	7826403.....	F 1362
26	BOX GW44005 120X80	7370501.....	J 440
27	SCREW TC M5X12 NYLON	7374006.....	F 1359
28	CLAMP 3 CONTACTS KL24/3	7612503.....	J 495
29	CLAMP 5 CONTACTS KL24/5	7612501.....	J 496
30	WASHER D4 NYLON.....	7374004.....	F 1361
31	NUT M4 NYLON	5195001.....	F 1360
32	ELECTRIC BOX SUPPORT	5038406LL.....	-
33	SCREW TCI M4X30 UNI 6107 OT	7826211.....	F 1103
34	CONTROL BOX SOCLE	7635415.....	Y 2261
35	LEVEL REGULATOR RL30/1E2C8 110V	7661026.....	Y 2260/110
35	LEVEL REGULATOR RL30/1E2C8 220/240V	7661025.....	Y 2260/220-240
36	LEVEL REGULATOR RL30/1E/F 110V.....	7661031.....	J 375
36	LEVEL REGULATOR RL30/1E/F 220/230V.....	7661027.....	J 336
37	SCREW TCI M4X6 UNI 6107 OT	7826212.....	-
38	RELAY 30A 240V (FOR 220/230V MACHINE FROM 06/05/05).....	7635422.....	-



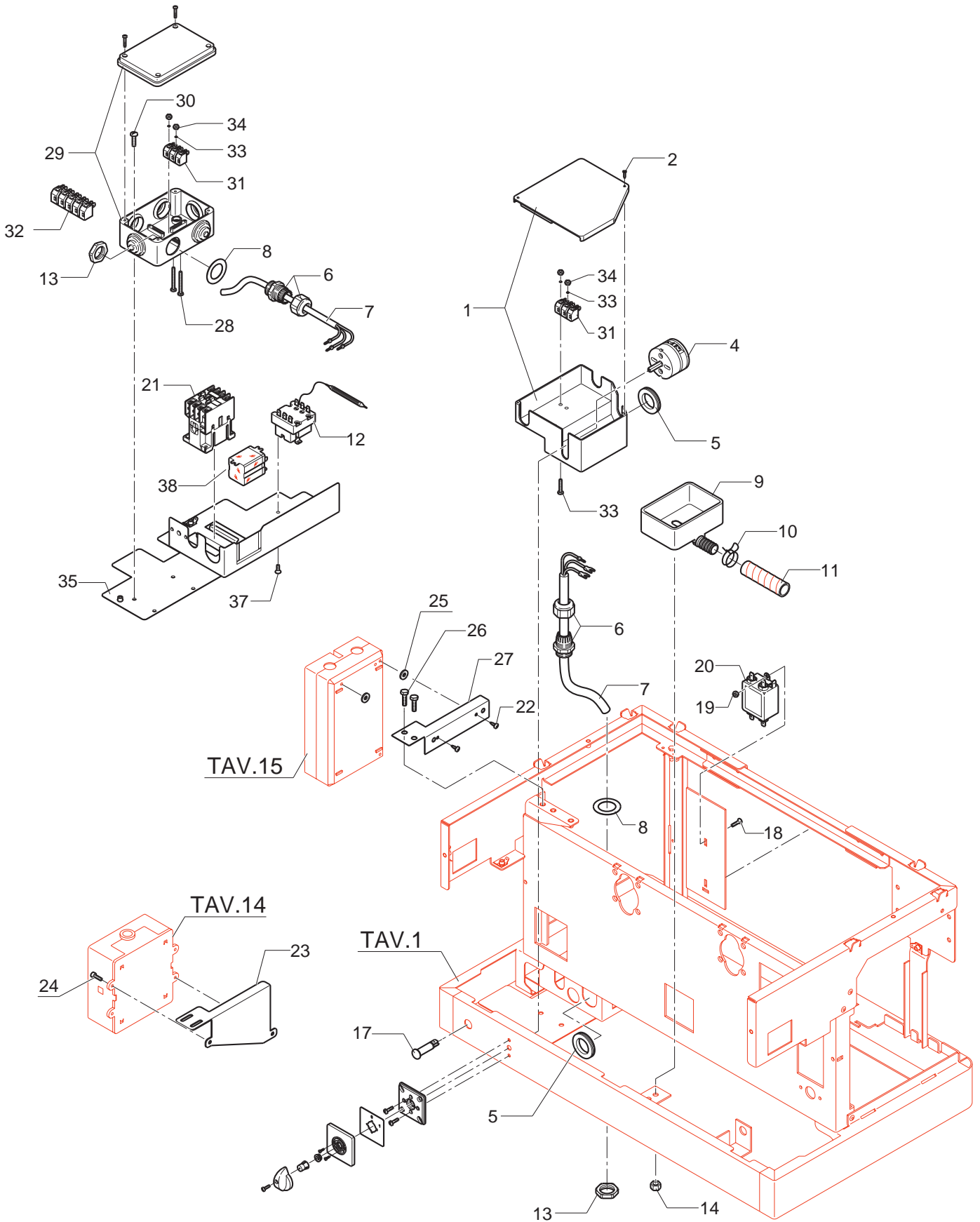


POS	DESCRIPTION	CODE	REFERENCE
01	ELECTRIC SYSTEM BOX	5373302.....	J 143
02	TAPPING SCREW TPS D2.9X9.5 UNI 6952 A2	7819402.....	F 841
04	BASEMENT SWITCH 1 POS.25A	7633306.....	V 1584
04	BASEMENT SWITCH 1 POSITION THREE-PHASE.....	7633315.....	V 1585
04	BASEMENT SWITCH 2 POSITIONS 4 CONTACTS	7633305.....	V 1591
04	BASEMENT SWITCH 2 POSITIONS 6 CONTACTS	7633311.....	V 1594
05	FAIRLEAD P63 RUBBER.....	7613001.....	J 221
06	CABLE-PRESS PG16 POLYAMIDE.....	7614001.....	J 486
06	CABLE-PRESS PG21 POLYAMIDE.....	7614002.....	J 488
07	CONNECTING CABLE H07RNF 4X2,5 MM^2 L=2MT (1-2GR 220/230V 2F+N+T)	3553602.....	-
07	CONNECTING CABLE H07RNF 4X4MM^2 L=3MT (3-4GR 220/230V 2F+N+T)	3553601.....	-
07	CONNECTING CABLE H07RNF 3X2,5 MM^2 L=2MT (1-2GR 220/240V)	3552401.....	-
07	CONNECTING CABLE H07RNF 3X4 MM^2 L=3MT (3-4GR 220V-240V)	3552703.....	-
07	CONNECTING CABLE H07RNF 5X2,5 MM^2 L=3MT (1-2-3-4GR 380-230/400V).....	3553904.....	-
07	CABLE SOOW 3X10AWG L=2,2MT (110V-220V USA).....	3556003.....	-
07	CONNECTING CABLE SJTO 3X12 AWG L=2MT (1GR 110V-220V USA)	3551501.....	-
08	WASHER D26X40X1 AISI 304	5999903.....	-
09	DRIP TRAY WITH SCREW	5373602.....	F 1209
10	CLAMP D22 FE.....	7611501.....	F 1266
11	HOSE D22 L=2MT PLASTIC	7303501.....	F 1299
12	THERMOSTAT MANUAL.....	7434001.....	U/6 2346
13	NUT PG16 POLYAMIDE.....	7614003.....	J 487
13	NUT PG21 POLYAMIDE.....	7614004.....	J 489
14	NUT M6 UNI 5587 OT.....	7821403.....	F 992
17	ORANGE LAMP 110V	7633607.....	T 1482/110
17	ORANGE LAMP 220/240V	7633609.....	T 1482/220
18	SCREW TPS M4X10 UNI 7688 A2	7817804.....	F 1756
19	NUT M4 OT	7822603.....	F 744
20	ANTIJAMMING FILTER 3A MONOPHASE (FOR 220/230V MACHINE UP TO 05/05/05)	7663001.....	J 749
21	REMOTE CONTROL SWITCH 110V	7636901.....	J 845
21	REMOTE CONTROL SWITCH 220/230V (UP TO 05/05/05).....	7636902.....	J 836
21	REMOTE CONTROL SWITCH 240V	7636903.....	J 844
22	SCREW TE M5X20 UNI 5739 OT	7826406.....	F 1576
23	SQUARE FOR ELECTRONIC BOX SUPPORT	5037804LL.....	-
24	SCREW TCEI M4X12	7816002.....	F 1600
25	SCREW TE M4X35 UNI 5739 OT	7826403.....	F 1362
26	BOX GW44005 120X80	7370501.....	J 440
27	SCREW TC M5X12 NYLON	7374006.....	F 1359
28	CLAMP 3 CONTACTS KL24/3	7612503.....	J 495
29	CLAMP 5 CONTACTS KL24/5	7612501.....	J 496
30	WASHER D4 NYLON.....	7374004.....	F 1361
31	NUT M4 NYLON	5195001.....	F 1360
32	ELECTRIC BOX SUPPORT.....	5038406LL.....	-
33	SCREW TCI M4X30 UNI 6107 OT.....	7826211.....	F 1103
34	SCREW TCI M4X6 UNI 6107 OT	7826212.....	F 1219
35	RELAY 30A 240V (FOR 220/230V MACHINE FROM 06/05/05).....	7635422.....	-





POS	DESCRIPTION	CODE	REFERENCE
01	ELECTRIC SYSTEM BOX	5373302.....	J 143
02	TAPPING SCREW TPS D2.9X9.5 UNI 6952 A2	7819402.....	F 841
04	BASEMENT SWITCH 1 POS.25A	7633306.....	V 1584
04	BASEMENT SWITCH 1 POSITION THREE-PHASE.....	7633315.....	V 1585
04	BASEMENT SWITCH 2 POSITIONS 4 CONTACTS	7633305.....	V 1591
04	BASEMENT SWITCH 2 POSITIONS 6 CONTACTS	7633311.....	V 1594
05	FAIRLEAD P63 RUBBER.....	7613001.....	J 221
06	CABLE-PRESS PG16 POLYAMIDE.....	7614001.....	J 486
06	CABLE-PRESS PG21 POLYAMIDE.....	7614002.....	J 488
07	CONNECTING CABLE H07RNF 4X2,5 MM^2 L=2MT (1-2GR 220/230V 2F+N+T)	3553602.....	-
07	CONNECTING CABLE H07RNF 4X4MM^2 L=3MT (3-4GR 220/230V 2F+N+T)	3553601.....	-
07	CONNECTING CABLE H07RNF 3X2,5 MM^2 L=2MT (1-2GR 220/240V)	3552401.....	-
07	CONNECTING CABLE H07RNF 3X4 MM^2 L=3MT (3-4GR 220V-240V)	3552703.....	-
07	CONNECTING CABLE H07RNF 5X2,5 MM^2 L=3MT (1-2-3-4GR 380-230/400V).....	3553904.....	-
07	CABLE SOOW 3X10AWG L=2,2MT (110V-220V USA).....	3556003.....	-
07	CONNECTING CABLE SJTO 3X12 AWG L=2MT (1GR 110V-220V USA)	3551501.....	-
08	FAIRLEAD WASHER D40 X 25 X 1 AISI 304	5999904.....	B40GLS16
09	DRIP TRAY WITH SCREW	5373602.....	F 1209
10	CLAMP D22 FE.....	7611501.....	F 1266
11	HOSE D22 L=2MT PLASTIC	7303501.....	F 1299
12	THERMOSTAT MANUAL.....	7434001.....	U/6 2346
13	NUT PG16 POLYAMIDE.....	7614003.....	J 487
13	NUT PG21 POLYAMIDE.....	7614004.....	J 489
14	NUT M6 UNI 5587 OT.....	7821403.....	F 992
17	ORANGE LAMP 110V	7633607.....	T 1482/110
17	ORANGE LAMP 220/240V	7633609.....	T 1482/220
18	SCREW TPS M4X10 UNI 7688 A2	7817804.....	F 1756
19	NUT M4 OT	7822603.....	F 744
20	ANTIJAMMING FILTER 3A MONOPHASE (FOR 220/230V MACHINE UP TO 05/05/05)	7663001.....	J 749
21	REMOTE CONTROL SWITCH 110V	7636901.....	J 845
21	REMOTE CONTROL SWITCH 220/230V (UP TO 05/05/05).....	7636902.....	J 836
21	REMOTE CONTROL SWITCH 240V	7636903.....	J 844
22	TAPPING SCREW TC D3.9 X 9.5 (OLD TYPE).....	7809800.....	F 1594
23	SQUARE FOR ELECTRONIC BOX SUPPORT	5037804LL.....	-
24	SCREW TCEI M4X12	7816002.....	F 1600
25	GASKET D14.5X6X2 (OLD TYPE)	7492005.....	-
26	SCREW TE M5X20 UNI 5739 OT (OLD TYPE).....	7826406.....	F 1576
27	SQUARE FOR ELECTRONIC BOX SUPPORT MPN (OLD TYPE).....	5058412LW.....	B 3208
28	SCREW TE M4X35 UNI 5739 OT	7826403.....	F 1362
29	BOX GW44005 120X80	7370501.....	J 440
30	SCREW TC M5X12 NYLON	7374006.....	F 1359
31	CLAMP 3 CONTACTS KL24/3	7612503.....	J 495
32	CLAMP 5 CONTACTS KL24/5	7612501.....	J 496
33	WASHER D4 NYLON.....	7374004.....	F 1361
34	NUT M4 NYLON	5195001.....	F 1360
35	ELECTRIC BOX SUPPORT	5038406LL.....	-
36	SCREW TCI M4X30 UNI 6107 OT.....	7826211.....	F 1103
37	SCREW TCI M4X6 UNI 6107 OT	7826212.....	F 1219
38	RELAY 30A 240V (FOR 220/230V MACHINE FROM 06/05/05).....	7635422.....	-



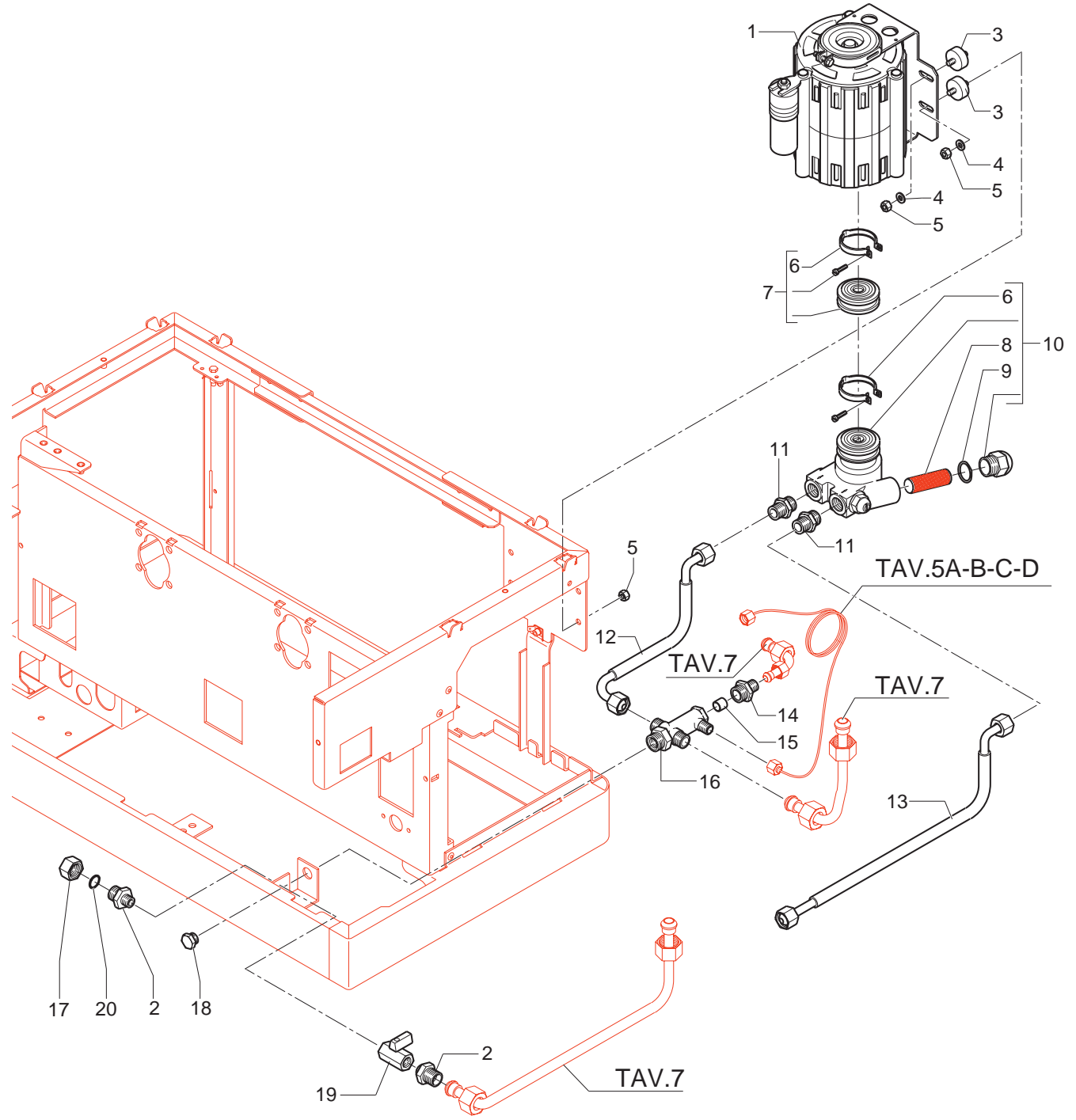


POS	DESCRIPTION	CODE	REFERENCE
01	ELECTRIC MOTOR 100V	7741001	V/5 2033
01	ELECTRIC MOTOR 110V 18MF	7741102	V/5 2032
01	ELECTRIC MOTOR 230V 10MF	7742202	V/5 2030
01	ELECTRIC MOTOR 240V 10MF	7742401	V/5 2031
01	ELECTRIC MOTOR 240V 5MF 120W (SPECIAL)	7742402	J 750
02	STRAIGHT FITTING 3/8"G X 1/4"G ES.22 H28 OT	5302035	F 647
03	VIBRATION-DAMPING D25X10	7470601	J 447
04	PLAIN WASHER D6 UNI 6592 FEZN	7805004	-
05	NUT M6 UNI 5587 OT	7821403	F 992
06	PUMP CLAMP	7611508	Q/1 1352
07	PUMP JOINT	7472401	Q/5 1387
07	PUMP JOINT KIT (NEW)	7730508	-
08	PROCON PUMP FILTER	7374005	Q/1 1367
09	OR GASKET FOR PUMP FILTER PROCON	7496048	Q/1 1368
10	PUMP 200 L/H 3-4GR	7730507	-
10	PUMP 100 L/H PA104X 1-2GR	7730506	-
11	STRAIGHT FITTING 3/8"G X 3/8"NPT OT	5302012	F 655
12	FLEXIBLE HOSE L=255	7200506	F 1171
13	FLEXIBLE HOSE L=350	7200505	F 1170
14	FITTING M13 X 3/8"	5226401	A/B 161
15	FILTER D13.5 H11 AISI 304	5471002	A 113
16	MULTIPLE FITTING 5 WAY OT (DE)	5302501	L 1135
17	CAP NUT 3/8"G	5221819	F 642
18	PLUG 1/4"G ES.16 H13 OT	5226405	F 720
19	BALL COCK FF 1/4"G	7451501	N/2 1250
20	GASKET D15X3 ASBESTOS FREE	5492011	F 730

Mod. B2000PM
B2000MN
B2000TE
B2000TP
B2000TPNT

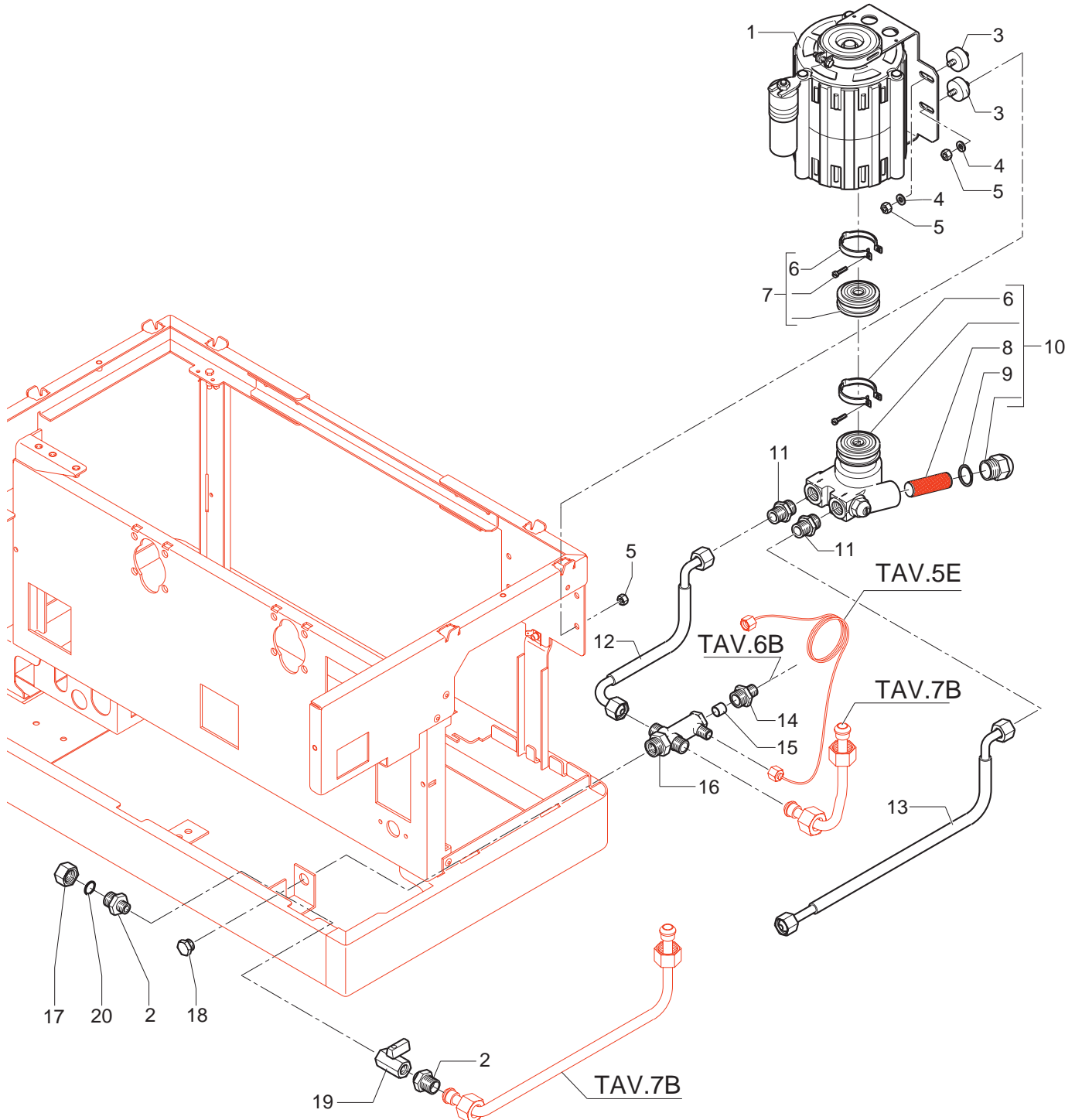
Tav. 03

BEZZERA
dal 1901



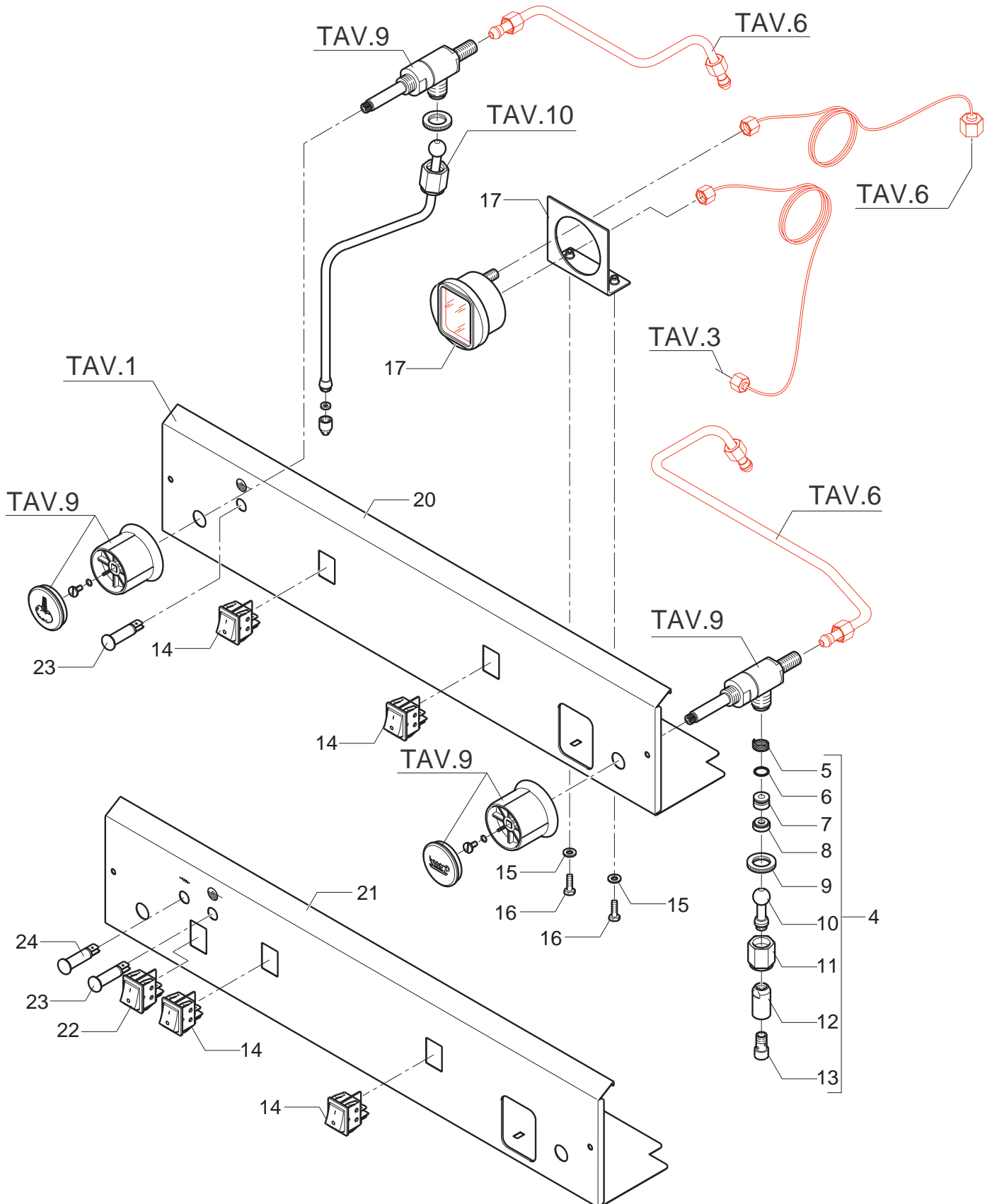


POS	DESCRIPTION	CODE	REFERENCE
01	ELECTRIC MOTOR 100V	7741001	V/5 2033
01	ELECTRIC MOTOR 110V 18MF	7741102	V/5 2032
01	ELECTRIC MOTOR 230V 10MF	7742202	V/5 2030
01	ELECTRIC MOTOR 240V 10MF	7742401	V/5 2031
01	ELECTRIC MOTOR 240V 5MF 120W (SPECIAL)	7742402	J 750
02	STRAIGHT FITTING 3/8"G X 1/4"G ES.22 H28 OT	5302035	F 647
03	VIBRATION-DAMPING D25X10	7470601	J 447
04	PLAIN WASHER D6 UNI 6592 FEZN	7805004	-
05	NUT M6 UNI 5587 OT	7821403	F 992
06	PUMP CLAMP	7611508	Q/1 1352
07	PUMP JOINT	7472401	Q/5 1387
07	PUMP JOINT KIT (NEW)	7730508	-
08	PROCON PUMP FILTER	7374005	Q/1 1367
09	OR GASKET FOR PUMP FILTER PROCON	7496048	Q/1 1368
10	PUMP 200 L/H 3-4GR	7730507	-
10	PUMP 100 L/H PA104X 1-2GR	7730506	-
11	STRAIGHT FITTING 3/8"G X 3/8"NPT OT	5302012	F 655
12	FLEXIBLE HOSE L=255	7200506	F 1171
13	FLEXIBLE HOSE L=350	7200505	F 1170
14	FITTING M13 X 3/8"	5226401	A/B 161
15	FILTER D13.5 H11 AISI 304	5471002	A 113
16	MULTIPLE FITTING 5 WAY OT (DE)	5302501	L 1135
17	CAP NUT 3/8"G	5221819	F 642
18	PLUG 1/4"G ES.16 H13 OT	5226405	F 720
19	BALL COCK FF 1/4"G	7451501	N/2 1250
20	GASKET D15X3 ASBESTOS FREE	5492011	F 730



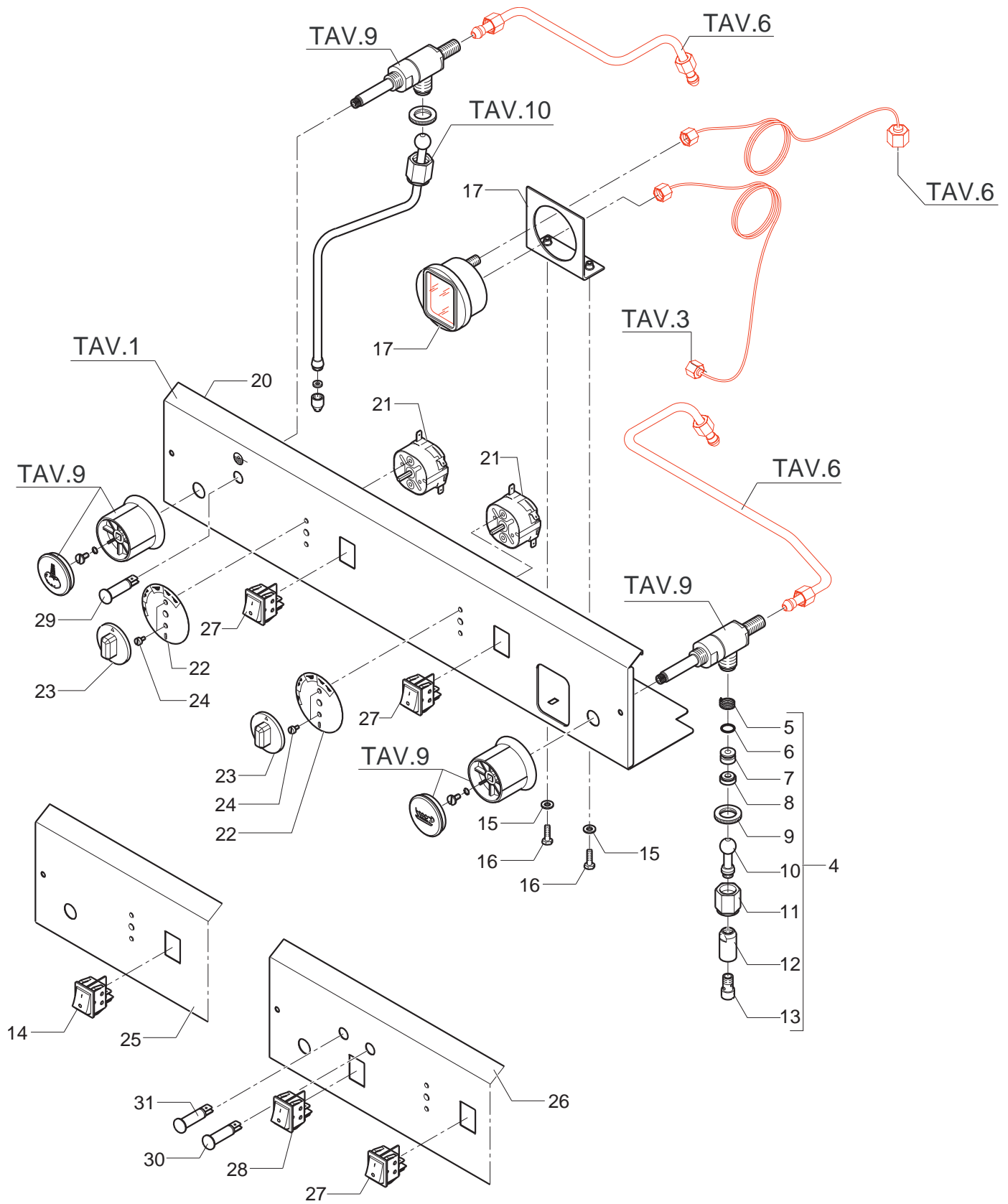


POS	DESCRIPTION	CODE	REFERENCE
04	ASSEMBLY COMPLETE WATER HOSE	5966506.....	O/10 2523A
05	SPRING D14 AISI 302	5471504.....	O/6 2500
06	OR GASKET 112 EPDM 70SH	7496076.....	-
07	GASKET-HOLDER D14.7 X 10.5 OT	5224605.....	O/6 2502
08	GASKET D16X6X6 PTFE GRAPHITIZED	5494002.....	O/6 2503
09	RING NUT M18	5222801.....	O/1 1251G
10	WATER HOSE L=44MM CHROMED	5225603CM	O/9 2521/A
11	NUT M18 NICKEL-PLATED	5221871NC.....	-
12	WATER TERMINAL CHROMED	5226605CM	O/1 1255
13	FITTING M10 OT	5225250.....	O/1 1256
14	BIPOLAR SWITCH WITH GREEN LAMP 220V	7633309.01.....	-
15	PLAIN WASHER D5 UNI 6592 A2	7815003.....	F 1377
16	SCREW TE M5X16 UNI 5739 A2	7816412.....	F 1340
17	PRESSURE GAUGE D70 DOUBLE SCALE	5963037.....	-
20	WORKING FRONTAL PANEL PM 1GR IB	5074244SG.....	-
20	WORKING FRONTAL PANEL PM 2GR IB	5074245SG.....	-
20	WORKING FRONTAL PANEL PM 2GR IB + 3B	5074246SG.....	-
20	WORKING FRONTAL PANEL PM 2GR IB COMPACT	5074340SG.....	-
20	WORKING FRONTAL PANEL PM 3GR IB	5074247SG.....	-
20	WORKING FRONTAL PANEL PM 4GR IB	5074336SG.....	-
21	WORKING FRONTAL PANEL PM 1GR IP	5074236SG.....	-
21	WORKING FRONTAL PANEL PM 1GR IP + 3B	5074383SG.....	-
21	WORKING FRONTAL PANEL PM 2GR IP	5074237SG.....	-
21	WORKING FRONTAL PANEL PM 2GR IP + 3B	5074238SG.....	-
21	WORKING FRONTAL PANEL PM 2GR IP COMPACT	5074339SG.....	-
21	WORKING FRONTAL PANEL PM 3GR IP	5074239SG.....	-
21	WORKING FRONTAL PANEL PM 4GR IP	5074314SG.....	-
22	YELLOW LIGHT SWITCH 220V	7633308.01.....	-
23	RED LAMP 220V (SPECIAL)	7633611.....	T 1482/220RED
23	GREEN LAMP 110V	7633608.....	VTE 95/110
23	GREEN LAMP 220/240V	7633610.....	VTE95/220-240
24	ORANGE LAMP 110V	7633607.....	T 1482/110
24	ORANGE LAMP 220/240V	7633609.....	T 1482/220



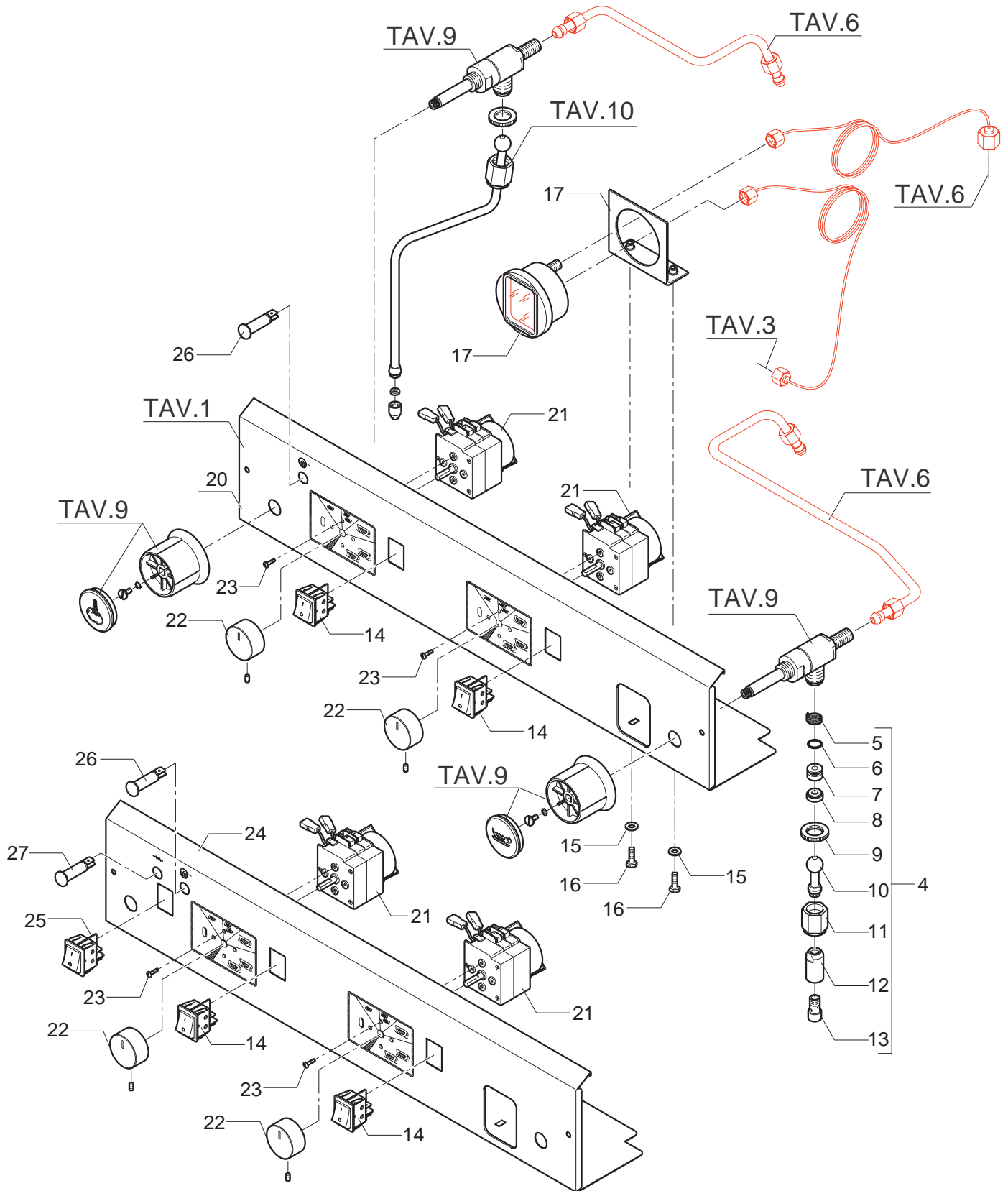


POS	DESCRIPTION	CODE	REFERENCE
04	ASSEMBLY COMPLETE WATER HOSE	5966506.....	O/10 2523A
05	SPRING D14 AISI 302.....	5471504.....	O/6 2500
06	OR GASKET 112 EPDM 70SH.....	7496076.....	-
07	GASKET-HOLDER D14.7 X 10.5 OT.....	5224605.....	O/6 2502
08	GASKET D16X6X6 PTFE GRAPHITIZED.....	5494002.....	O/6 2503
09	RING NUT M18.....	5222801.....	O/1 1251G
10	WATER HOSE L=44MM CHROMED.....	5225603CM.....	O/9 2521/A
11	NUT M18 NICKEL-PLATED.....	5221871NC.....	-
12	WATER TERMINAL CHROMED.....	5226605CM.....	O/1 1255
13	FITTING M10 OT.....	5225250.....	O/1 1256
14	BIPOLAR SWITCH WITH LED.....	7633313.....	J 501
15	PLAIN WASHER D6 UNI 6592 FEZN.....	7805004.....	-
16	SCREW TE M5X16 UNI 5739 A2.....	7816412.....	F 1340
17	PRESSURE GAUGE D70 DOUBLE SCALE.....	5963037.....	-
20	WORKING FRONTAL PANEL TP 1GR IB + LAMP.....	5074352SG.....	-
20	WORKING FRONTAL PANEL TP 2GR IB + LAMP.....	5074356SG.....	-
20	WORKING FRONTAL PANEL TP 2GR IB + LAMP + 3B.....	5074358SG.....	-
20	WORKING FRONTAL PANEL TP 2GR IB + LAMP + 3B COMPACT.....	5074357SG.....	-
20	WORKING FRONTAL PANEL TP 3GR IB + LAMP.....	5074359SG.....	-
20	WORKING FRONTAL PANEL TP 4GR IB + LAMP.....	5074360SG.....	-
21	MANUAL TIMER.....	7667501.....	V 1595
22	CIRCULAR TIMER LABLE.....	5522032.....	V/2 1587
23	TIMER KNOB.....	7371503.....	V 1586
24	SCREW TCI M4X6 UNI 6107 OT.....	7826212.....	F 1219
25	WORKING FRONTAL PANEL TP 1GR IB.....	5074361SG.....	-
25	WORKING FRONTAL PANEL TP 2GR IB.....	5074401SG.....	-
25	WORKING FRONTAL PANEL TP 2GR IB + 3B.....	5074397SG.....	-
25	WORKING FRONTAL PANEL TP 2GR IB + 3B COMPACT.....	5074332SG.....	-
25	WORKING FRONTAL PANEL TP 2GR IB COMPACT.....	5074363SG.....	-
25	WORKING FRONTAL PANEL TP 3GR IB.....	5074405SG.....	-
25	WORKING FRONTAL PANEL TP 4GR IB.....	5074366SG.....	-
26	WORKING FRONTAL PANEL TP 1GR IP.....	5074367SG.....	-
26	WORKING FRONTAL PANEL TP 2GR IP.....	5074368SG.....	-
26	WORKING FRONTAL PANEL TP 2GR IP + 3B.....	5074370SG.....	-
26	WORKING FRONTAL PANEL TP 2GR IP COMPACT.....	5074369SG.....	-
26	WORKING FRONTAL PANEL TP 3GR IP.....	5074371SG.....	-
26	WORKING FRONTAL PANEL TP 4GR IP.....	5074372SG.....	-
27	BIPOLAR SWITCH WITH GREEN LAMP 220V.....	7633309.01.....	-
28	YELLOW LIGHT SWITCH 220V.....	7633308.01.....	-
29	RED LAMP 220V.....	7633611.....	T 1482/220RED
30	GREEN LAMP 110V.....	7633608.....	VTE 95/110
30	GREEN LAMP 220/240V.....	7633610.....	VTE95/220-240
31	ORANGE LAMP 110V.....	7633607.....	T 1482/110
31	ORANGE LAMP 220/240V.....	7633609.....	T 1482/220



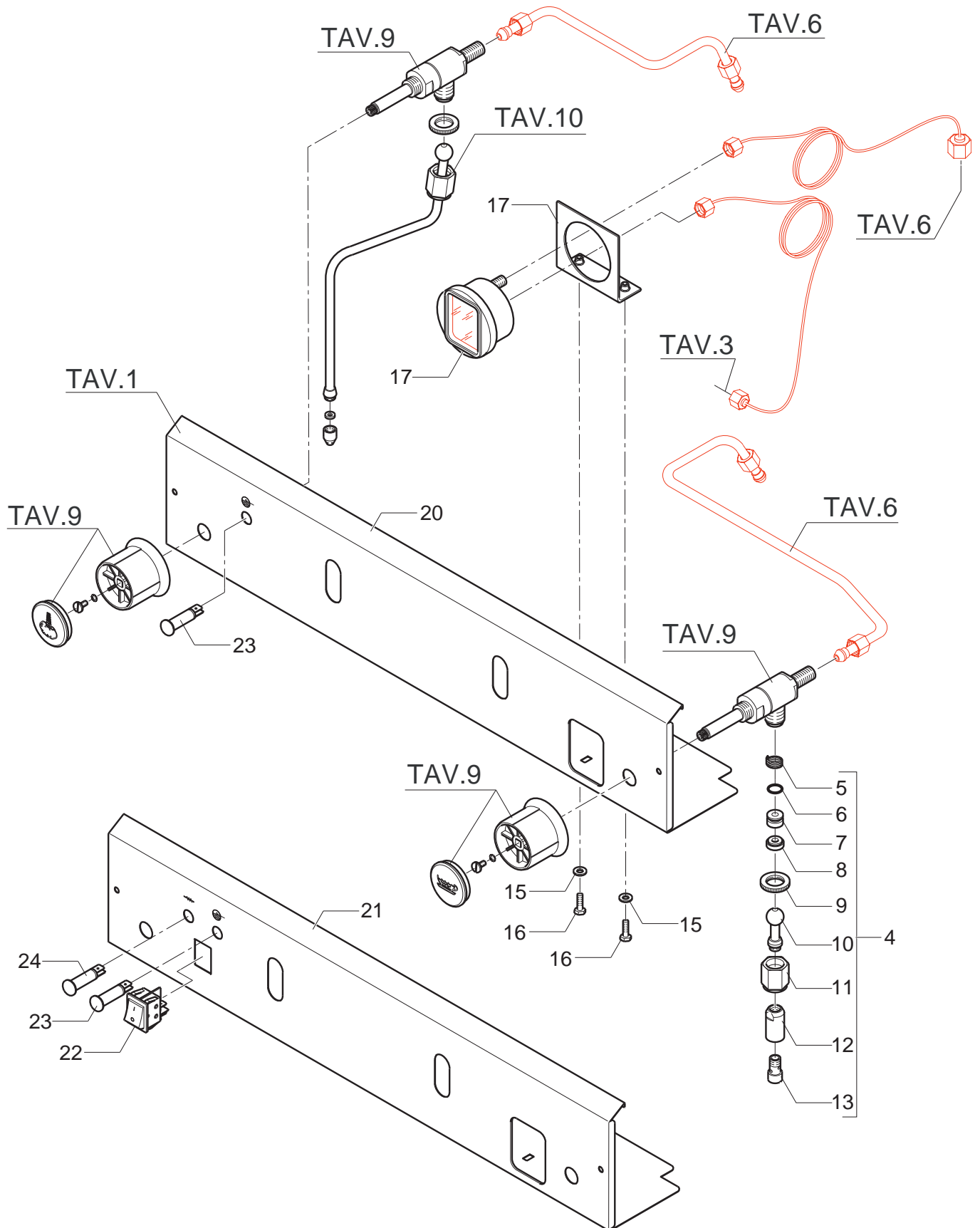


POS	DESCRIPTION	CODE	REFERENCE
04	ASSEMBLY COMPLETE WATER HOSE	5966506.....	O/10 2523A
05	SPRING D14 AISI 302.....	5471504.....	O/6 2500
06	OR GASKET 112 EPDM 70SH.....	7496076.....	-
07	GASKET-HOLDER D14.7 X 10.5 OT	5224605.....	O/6 2502
08	GASKET D16X6X6 PTFE GRAPHITIZED	5494002.....	O/6 2503
09	RING NUT M18.....	5222801.....	O/1 1251G
10	WATER HOSE L=44MM CHROMED	5225603CM	O/9 2521/A
11	NUT M18 NICKEL-PLATED	5221871NC.....	-
12	WATER TERMINAL CHROMED	5226605CM	O/1 1255
13	FITTING M10 OT	5225250.....	O/1 1256
14	BIPOLAR SWITCH WITH GREEN LAMP 220V	7633309.01.....	-
15	PLAIN WASHER D6 UNI 6592 FEZN	7805004.....	-
16	SCREW TE M5X16 UNI 5739 A2	7816412.....	F 1340
17	PRESSURE GAUGE D70 DOUBLE SCALE	5963037.....	-
20	WORKING FRONTAL PANEL TPNT 1GR IB + LAMP	5074352SG1.....	-
20	WORKING FRONTAL PANEL TPNT 2GR IB + LAMP	5074356SG1.....	-
20	WORKING FRONTAL PANEL TPNT 2GR IB + LAMP + 3B.....	5074358SG1.....	-
20	WORKING FRONTAL PANEL TPNT 2GR IB + LAMP + 3B COMPACT	5074357SG1.....	-
20	WORKING FRONTAL PANEL TPNT 3GR IB + LAMP	5074359SG1.....	-
20	WORKING FRONTAL PANEL TPNT 4GR IB + LAMP	5074360SG1.....	-
21	TIMER 110V.....	7667008.....	J 367/110
21	TIMER 220/240V.....	7667012.....	J 367/220-240
22	TIMER KNOB.....	7371505.....	J 371
23	SCREW TCI M3X5 UNI 6107 A2	7816203.....	F 1436
24	WORKING FRONTAL PANEL TPNT 1GR IP	5074367SG1.....	-
24	WORKING FRONTAL PANEL TPNT 2GR IP	5074368SG1.....	-
24	WORKING FRONTAL PANEL TPNT 2GR IP + 3B.....	5074370SG1.....	-
24	WORKING FRONTAL PANEL TPNT 2GR IP COMPACT.....	5074369SG1.....	-
24	WORKING FRONTAL PANEL TPNT 3GR IP	5074371SG1.....	-
24	WORKING FRONTAL PANEL TPNT 4GR IP	5074372SG1.....	-
25	YELLOW LIGHT SWITCH 220V	7633308.01.....	-
26	RED LAMP 220V	7633611.....	T 1482/220RED
26	GREEN LAMP 110V	7633608.....	VTE 95/110
26	GREEN LAMP 220/240V	7633610.....	VTE95/220-240
27	ORANGE LAMP 110V	7633607.....	T 1482/110
27	ORANGE LAMP 220/240V	7633609.....	T 1482/220



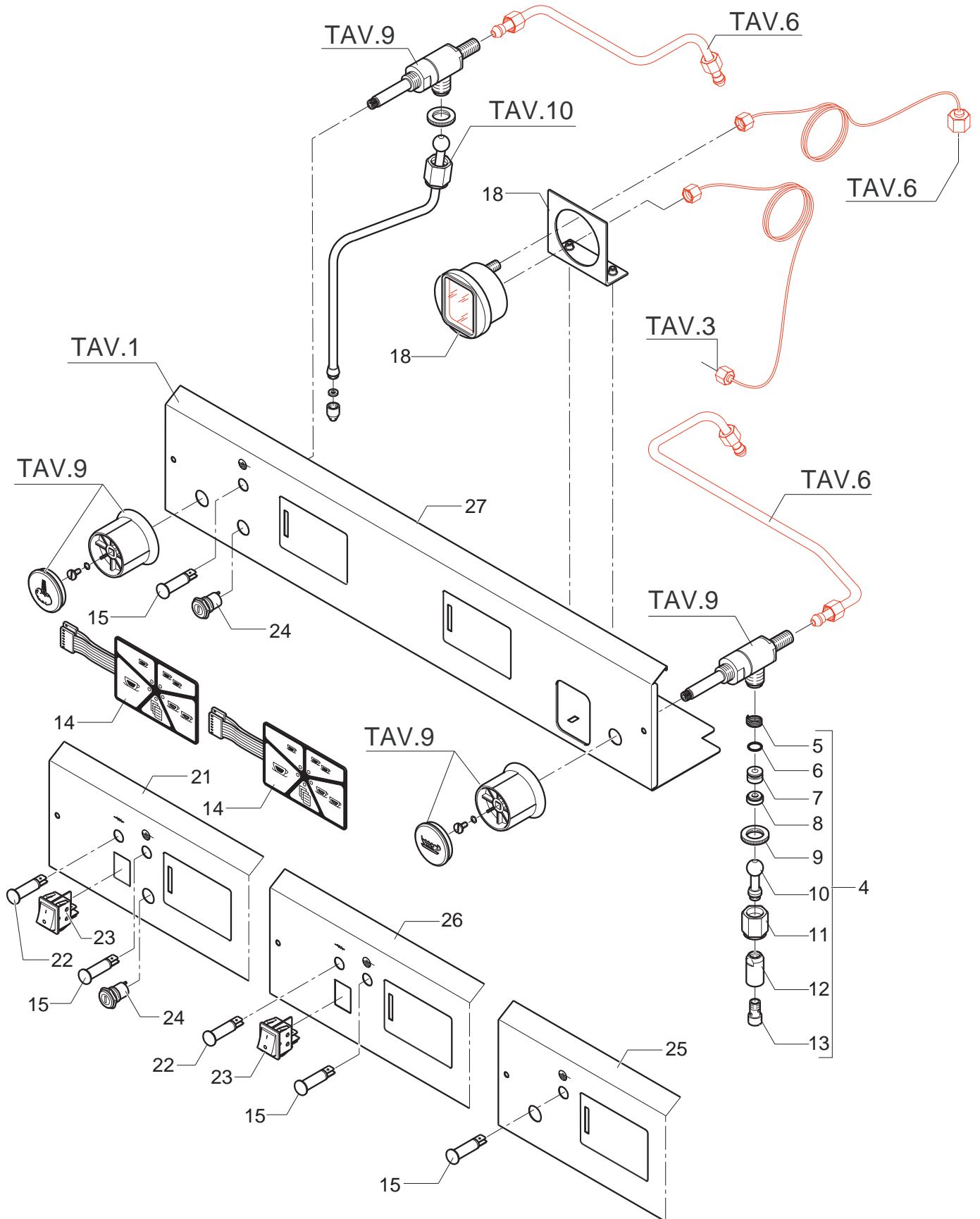


POS	DESCRIPTION	CODE	REFERENCE
04	ASSEMBLY COMPLETE WATER HOSE	5966506.....	O/10 2523A
05	SPRING D14 AISI 302.....	5471504.....	O/6 2500
06	OR GASKET 112 EPDM 70SH.....	7496076.....	-
07	GASKET-HOLDER D14.7 X 10.5 OT.....	5224605.....	O/6 2502
08	GASKET D16X6X6 PTFE GRAPHITIZED.....	5494002.....	O/6 2503
09	RING NUT M18.....	5222801.....	O/1 1251G
10	WATER HOSE L=44MM CHROMED.....	5225603CM.....	O/9 2521/A
11	NUT M18 NICKEL-PLATED.....	5221871NC.....	-
12	WATER TERMINAL CHROMED.....	5226605CM.....	O/1 1255
13	FITTING M10 OT.....	5225250.....	O/1 1256
15	PLAIN WASHER D6 UNI 6592 FEZN.....	7805004.....	-
16	SCREW TE M5X16 UNI 5739 A2.....	7816412.....	F 1340
17	PRESSURE GAUGE D70 DOUBLE SCALE.....	5963037.....	-
20	WORKING FRONTAL PANEL MN 1GR IB + LAMP.....	5074268SG.....	-
20	WORKING FRONTAL PANEL MN 2GR IB + LAMP.....	5074269SG.....	-
20	WORKING FRONTAL PANEL MN 2GR IB + LAMP + 3B.....	5074270SG.....	-
20	WORKING FRONTAL PANEL MN 2GR IB + LAMP COMPACT.....	5074341SG.....	-
20	WORKING FRONTAL PANEL MN 3GR IB + LAMP.....	5074271SG.....	-
20	WORKING FRONTAL PANEL MN 4GR IB + LAMP.....	5074318SG.....	-
21	WORKING FRONTAL PANEL MN 1GR IP.....	5074342SG.....	-
21	WORKING FRONTAL PANEL MN 2GR IP.....	5074343SG.....	-
21	WORKING FRONTAL PANEL MN 2GR IP + 3B.....	5074345SG.....	-
21	WORKING FRONTAL PANEL MN 2GR IP COMPACT.....	5074344SG.....	-
21	WORKING FRONTAL PANEL MN 3GR IP.....	5074346SG.....	-
21	WORKING FRONTAL PANEL MN 4GR IP.....	5074347SG.....	-
22	YELLOW LIGHT SWITCH 220V.....	7633308.01.....	-
23	RED LAMP 220V.....	7633611.....	T 1482/220RED
23	GREEN LAMP 110V.....	7633608.....	VTE 95/110
23	GREEN LAMP 220/240V.....	7633610.....	VTE95/220-240
24	ORANGE LAMP 110V.....	7633607.....	T 1482/110
24	ORANGE LAMP 220/240V.....	7633609.....	T 1482/220



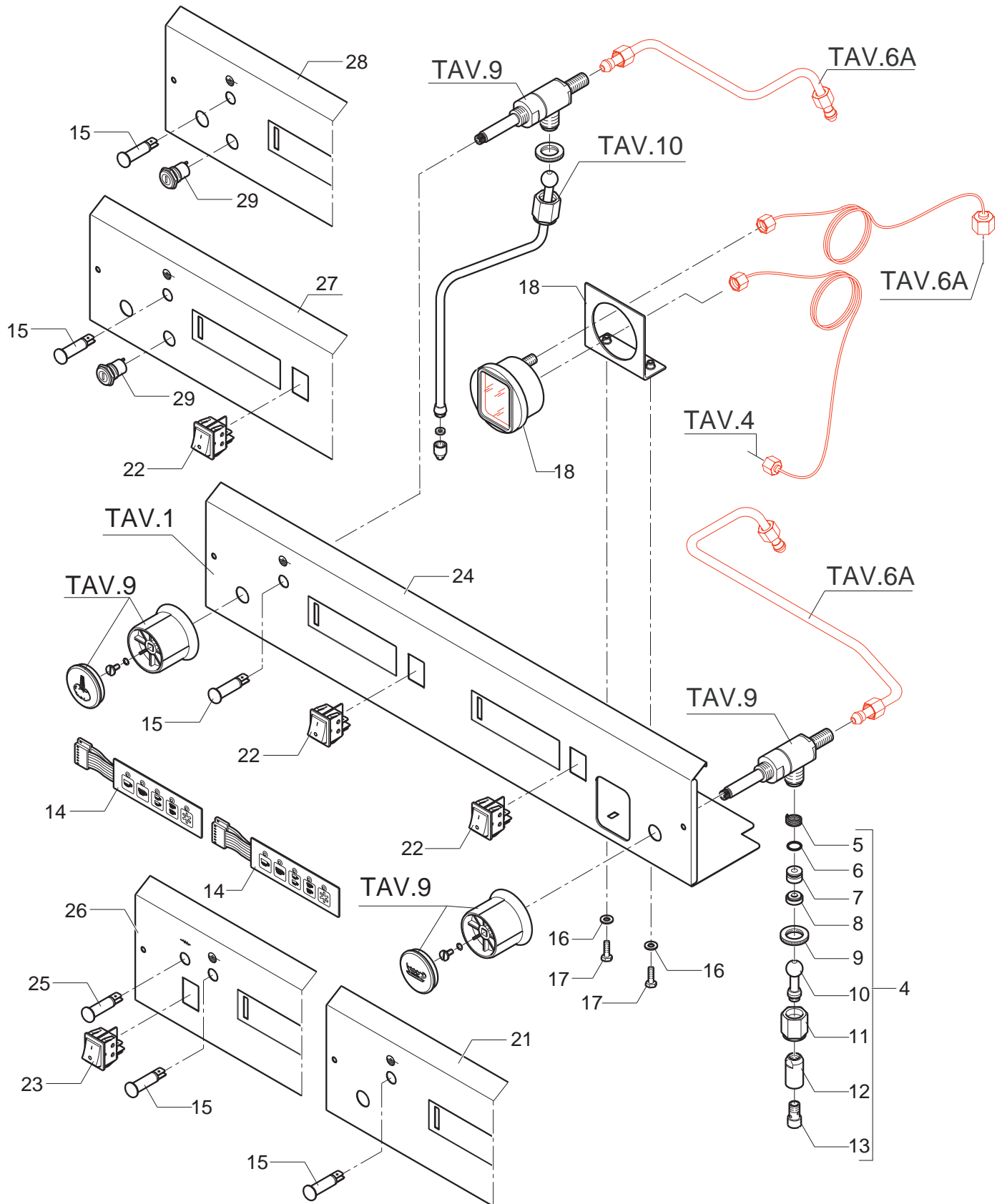


POS	DESCRIPTION	CODE	REFERENCE
04	ASSEMBLY COMPLETE WATER HOSE	5966506.....	O/10 2523A
05	SPRING D14 AISI 302	5471504.....	O/6 2500
06	OR GASKET 112 EPDM 70SH.....	7496076.....	-
07	GASKET-HOLDER D14.7 X 10.5 OT	5224605.....	O/6 2502
08	GASKET D16X6X6 PTFE GRAPHITIZED	5494002.....	O/6 2503
09	RING NUT M18	5222801.....	O/1 1251G
10	WATER HOSE L=44MM CHROMED	5225603CM	O/9 2521/A
11	NUT M18 NICKEL-PLATED	5221871NC.....	-
12	WATER TERMINAL CHROMED	5226605CM	O/1 1255
13	FITTING M10 OT	5225250.....	O/1 1256
14	MEMBRANE B2000/3000 TE 90X60	5660510.....	J 705
15	GREEN LAMP 110V	7633608.....	VTE 95/110
15	GREEN LAMP 220/240V	7633610.....	VTE95/220-240
16	PLAIN WASHER D6 UNI 6592 FEZN	7805004.....	-
17	SCREW TE M5X16 UNI 5739 A2	7816412.....	F 1340
18	PRESSURE GAUGE D70 DOUBLE SCALE	5963037.....	-
21	WORKING FRONTAL PANEL TE 1GR IP + CH.....	5074309SG.....	-
21	WORKING FRONTAL PANEL TE 2GR IP + CH.....	5074310SG.....	-
21	WORKING FRONTAL PANEL TE 2GR IP + CH + 3B	5074311SG.....	-
21	WORKING FRONTAL PANEL TE 3GR IP + CH.....	5074312SG.....	-
21	WORKING FRONTAL PANEL TE 4GR IP + CH.....	5074348SG.....	-
22	ORANGE LAMP 110V	7633607.....	T 1482/110
22	ORANGE LAMP 220/240V	7633609.....	T 1482/220
23	YELLOW LIGHT SWITCH 220V	7633308.01.....	-
24	UNIVERSAL PROGRAMMING KEY	7661503.....	J 711U
25	WORKING FRONTAL PANEL TE 1GR IB	5074292SG.....	-
25	WORKING FRONTAL PANEL TE 2GR IB	5074293SG.....	-
25	WORKING FRONTAL PANEL TE 2GR IB + 3B	5074294SG.....	-
25	WORKING FRONTAL PANEL TE 2GR IB COMPACT	5074349SG.....	-
25	WORKING FRONTAL PANEL TE 3GR IB	5074295SG.....	-
25	WORKING FRONTAL PANEL TE 4GR IB	5074350SG.....	-
26	WORKING FRONTAL PANEL TE 1GR IP	5074301SG.....	-
26	WORKING FRONTAL PANEL TE 2GR IP	5074302SG.....	-
26	WORKING FRONTAL PANEL TE 2GR IP + 3B	5074303SG.....	-
26	WORKING FRONTAL PANEL TE 2GR IP COMPACT	5074351SG.....	-
26	WORKING FRONTAL PANEL TE 3GR IP	5074304SG.....	-
26	WORKING FRONTAL PANEL TE 4GR IP	5074319SG.....	-
27	WORKING FRONTAL PANEL TE 1GR IB + CH.....	5074393SG.....	-
27	WORKING FRONTAL PANEL TE 2GR IB + CH.....	5074394SG.....	-
27	WORKING FRONTAL PANEL TE 2GR IB + CH + 3B	5074396SG.....	-
27	WORKING FRONTAL PANEL TE 2GR IB + CH + 3B COMPACT.....	5074333SG.....	-
27	WORKING FRONTAL PANEL TE 3GR IB + CH.....	5074415SG.....	-



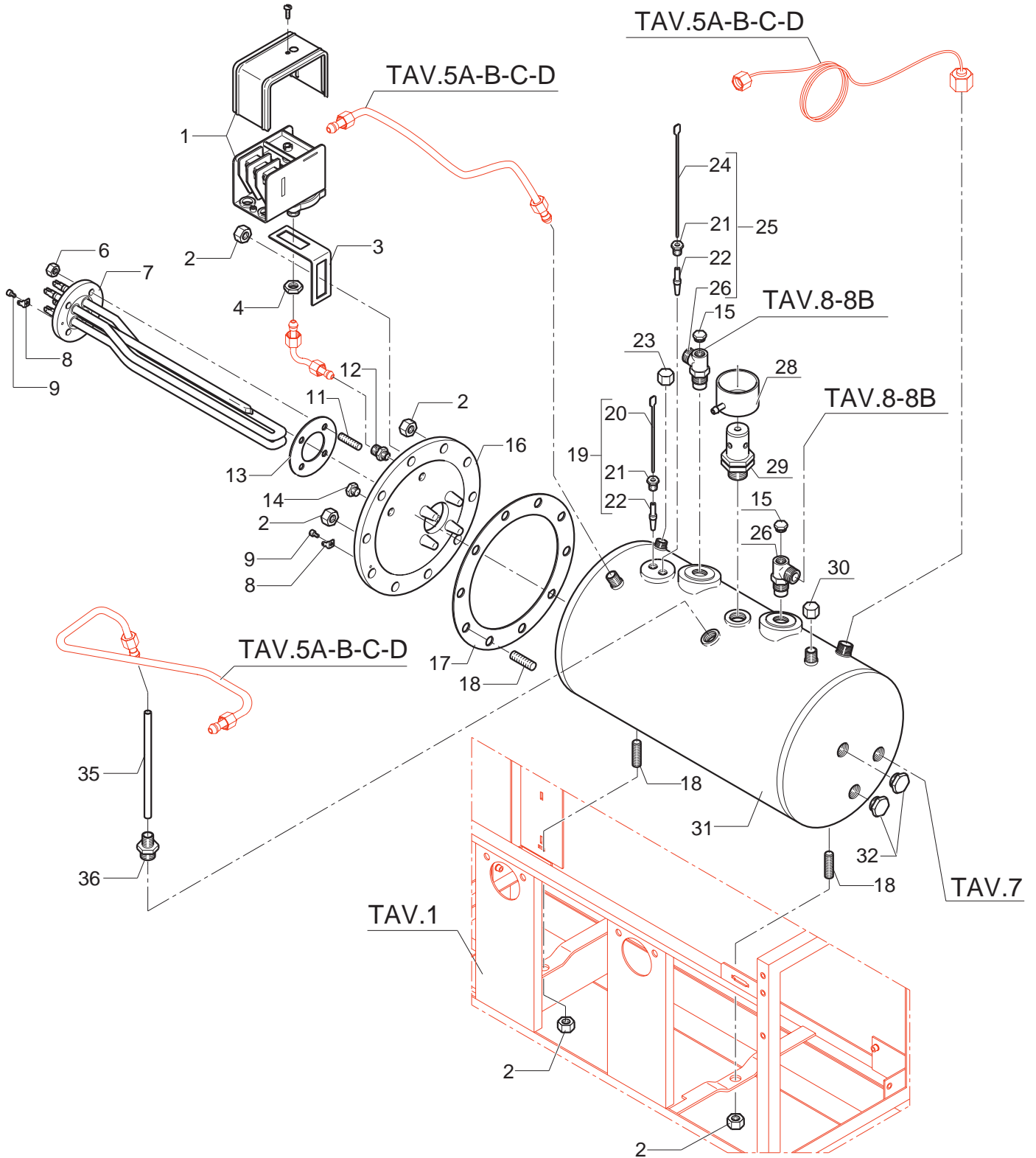


POS	DESCRIPTION	CODE	REFERENCE
04	ASSEMBLY COMPLETE WATER HOSE	5966506.....	O/10 2523A
05	SPRING D14 AISI 302.....	5471504.....	O/6 2500
06	OR GASKET 112 EPDM 70SH.....	7496076.....	-
07	GASKET-HOLDER D14.7 X 10.5 OT.....	5224605.....	O/6 2502
08	GASKET D16X6X6 PTFE GRAPHITIZED.....	5494002.....	O/6 2503
09	RING NUT M18.....	5222801.....	O/1 1251G
10	WATER HOSE L=44MM CHROMED.....	5225603CM.....	O/9 2521/A
11	NUT M18 NICKEL-PLATED.....	5221871NC.....	-
12	WATER TERMINAL CHROMED.....	5226605CM.....	O/1 1255
13	FITTING M10 OT.....	5225250.....	O/1 1256
14	DIAPHRAGM DE/MPN 118X34.....	5660508.....	J 645
15	GREEN LAMP 110V.....	7633608.....	VTE 95/110
15	GREEN LAMP 220/240V.....	7633610.....	VTE95/220-240
16	PLAIN WASHER D6 UNI 6592 FEZN.....	7805004.....	-
17	SCREW TE M5X16 UNI 5739 A2.....	7816412.....	F 1340
18	PRESSURE GAUGE D70 DOUBLE SCALE.....	5963037.....	-
21	WORKING FRONTAL PANEL DE 1GR IB.....	5074276SG.....	-
21	WORKING FRONTAL PANEL DE 2GR IB.....	5074277SG.....	-
21	WORKING FRONTAL PANEL DE 2GR IB + 3B.....	5074278SG.....	-
21	WORKING FRONTAL PANEL DE 3GR IB.....	5074279SG.....	-
21	WORKING FRONTAL PANEL DE 4GR IB.....	5074353SG.....	-
22	BIPOlar SWITCH WITH GREEN LAMP 220V.....	7633309.01.....	-
23	YELLOW LIGHT SWITCH 220V.....	7633308.01.....	-
24	WORKING FRONTAL PANEL DE 1GR IB + PA.....	5074260SG.....	-
24	WORKING FRONTAL PANEL DE 2GR IB + PA.....	5074261SG.....	-
24	WORKING FRONTAL PANEL DE 2GR IB + PA + 3B.....	5074262SG.....	-
24	WORKING FRONTAL PANEL DE 2GR IB + PA COMPACT.....	5074354SG.....	-
24	WORKING FRONTAL PANEL DE 3GR IB + PA.....	5074263SG.....	-
24	WORKING FRONTAL PANEL DE 4GR IB + PA.....	5074355SG.....	-
25	ORANGE LAMP 110V.....	7633607.....	T 1482/110
25	ORANGE LAMP 220/240V.....	7633609.....	T 1482/220
26	WORKING FRONTAL PANEL DE 1GR IP.....	5074374SG.....	-
26	WORKING FRONTAL PANEL DE 2GR IP.....	5074395SG.....	-
26	WORKING FRONTAL PANEL DE 2GR IP + 3B.....	5074386SG.....	-
26	WORKING FRONTAL PANEL DE 2GR IP COMPACT.....	5074390SG.....	-
26	WORKING FRONTAL PANEL DE 3GR IP.....	5074389SG.....	-
26	WORKING FRONTAL PANEL DE 4GR IP.....	5074416SG.....	-
27	WORKING FRONTAL PANEL DE 1GR IB + PA + CH.....	5074284SG.....	-
27	WORKING FRONTAL PANEL DE 2GR IB + PA + CH.....	5074285SG.....	-
27	WORKING FRONTAL PANEL DE 2GR IB + PA + CH + 3B.....	5074286SG.....	-
27	WORKING FRONTAL PANEL DE 3GR IB + PA + CH.....	5074287SG.....	-
28	WORKING FRONTAL PANEL DE 2GR IB + CH COMPACT.....	5074375SG.....	-
29	UNIVERSAL PROGRAMMING KEY.....	7661503.....	J 711U



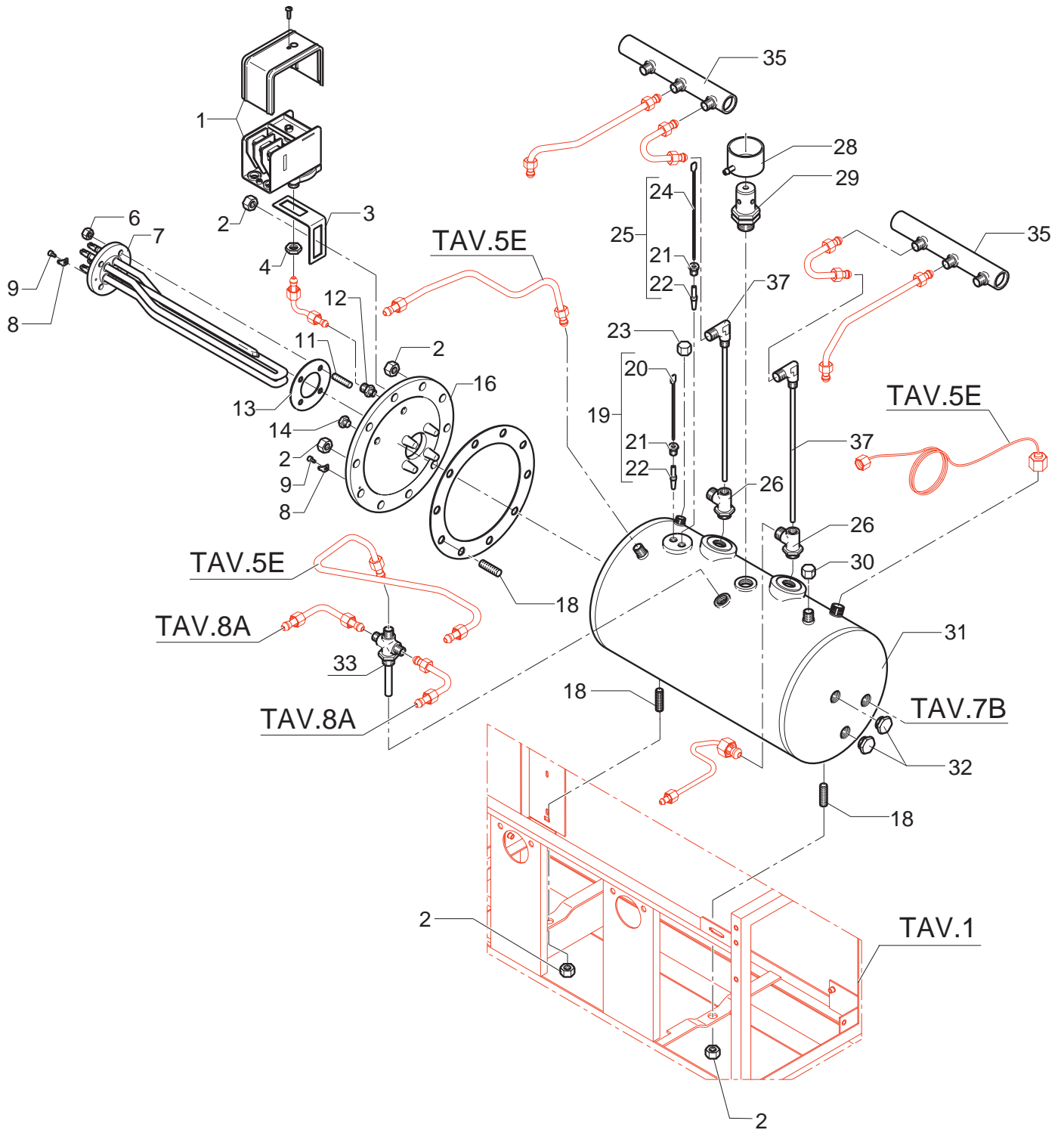


POS	DESCRIPTION	CODE	REFERENCE
01	PRESSOSTAT SIRAI P302/6	7433001	U/5 2343
02	NUT M10 UNI 5587 ASTM A194	7812608	-
03	SQUARE FRO PRESSOSTAT	5017814LW	B 3026
04	NUT 1/4"G H5 OT	5221821	T 1498
06	NUT M8 UNI 5587 ASTM A194	7812607	-
07	HEATING ELEMENT 1GR 1400W 110/120V	5721114	T/12 1561/110
07	HEATING ELEMENT 1GR 2000W 220/230V	5722220	T/12 1561/220
07	HEATING ELEMENT 1GR 2000W 240V	5722416	T/12 1561/240
07	HEATING ELEMENT 2GR 220/230 4500W (SPECIAL)	5722230	T/11 1555/220
07	HEATING ELEMENT 2GR 240V 4000W (SPECIAL)	5722418	T/13 1571/240
07	HEATING ELEMENT 2GR 2600W 110/120V	5721115	T/12 1562/110
07	HEATING ELEMENT 2GR 3000W 220/230V	5722221	T/12 1562/220
07	HEATING ELEMENT 2GR 3000W 240V	5722417	T/12 1562/240
07	HEATING ELEMENT 2GR 3500W 220/230V (SPECIAL NOT CE)	5722224	T/12 1563/220
07	HEATING ELEMENT 2GR 3500W 240V(SPECIAL NOT CE)	5722423	T/12 1563/240
07	HEATING ELEMENT 2GR COMPACT 110/120V 1800W	5721124	-
07	HEATING ELEMENT 2GR COMPACT 220/230V 2500W	5722234	T/8 1526/220
07	HEATING ELEMENT 2GR COMPACT 240V 2500W	5722409	T/8 1526/240
07	HEATING ELEMENT 3-4GR 3000W 110/120V	5721116	T/12 1564/110
07	HEATING ELEMENT 3-4GR 5000W 220/230V	5722222	T/12 1564/220
07	HEATING ELEMENT 3-4GR 5000W 240V	5722419	T/12 1564/240
07	HEATING ELEMENT 3GR 220/230V 6000W	5722233	T/11 1556/220
08	FASTON 45° HOLE D4.3	7615003	J 542
09	SCREW TCI M4X6 UNI 6107 OT	7826212	F 1219
11	TIE ROD M8 X 31 ASTM A193	5267013	F 980
12	STRAIGHT FITTING M12 X M10 OT	5302010	F 683
13	GASKET D76 X 39 X 2 ASBESTOS FREE	5492006	T 1493
14	PLUG M10 H12 OT	5226404	F 682
15	PLUG 1/4"G ES.16 H13 OT	5226405	F 720
16	BOILER FLANDE D205 OT	5283502	W 2152
17	GASKET D203 X 151 X 2 ASBESTOS FREE	5492005	J 57A
18	TIE ROD M10 X 33 ASTM A193	5267012	-
19	ASSEMBLY MAXIMUM LEVE PROBE 1GR	5973011	-
19	ASSEMBLY MAXIMUM LEVE PROBE 2-3-4GR	5973012	-
20	LEVEL PROBE 2-3-4GR. D3X90X6.3 AISI 304	5265807	Y/5 2381
20	LEVEL PROBE 1GR D3 X 110 X 6.3	5265804	Y/10 2394
21	STRAIGHT FITTING M10 OT	5225205	Y 2257/2
22	PROBE SHEATH D8 X 45 HOLE D3 PTFE	5192001	Y/5 2383/A
23	CAP NUT M12	5221813	F 637/A
24	LEVEL PROBE D3X160X4.8	5265811	Y/5 2420
25	ASSEMBLY MINIMUM LEVE PROBE 1-2-3-4GR	5973013	-
26	FITTING 1/4"G X 1/2"GC H55 OT	5300504	F 1030
26	FITTING 1/4"G X 1/4"G X 1/2"G X 1/2"NPT OT (VERSION 1/2")	5300509	F 1188
28	COMPLETE CUP	5963047	-
29	ASSEMBLY SAFETY VALVE 1.5 BAR	5965015	R/3 1403
30	CAP NUT M13 X 1	5221840	F 639/B
31	ASSEMBLY BOILER PM/TE/TP 1GR	5961014	-
31	ASSEMBLY BOILER PM/TE/TP 2GR	5961015	-
31	ASSEMBLY BOILER PM/TE/TP 2GR COMPACT	5961016	-
31	ASSEMBLY BOILER PM/TE/TP 3GR	5961017	-
31	ASSEMBLY BOILER PM/TE/TP 4GR	5961018	-
32	PLUG 3/8"G	5226403	F 643
35	SUCTION HOSE D8X1 150MM PTFE	5192305	-
36	STRAIGHT FITTING 3/8"G X M13 ES.22 H30 OT	5302005	F 654



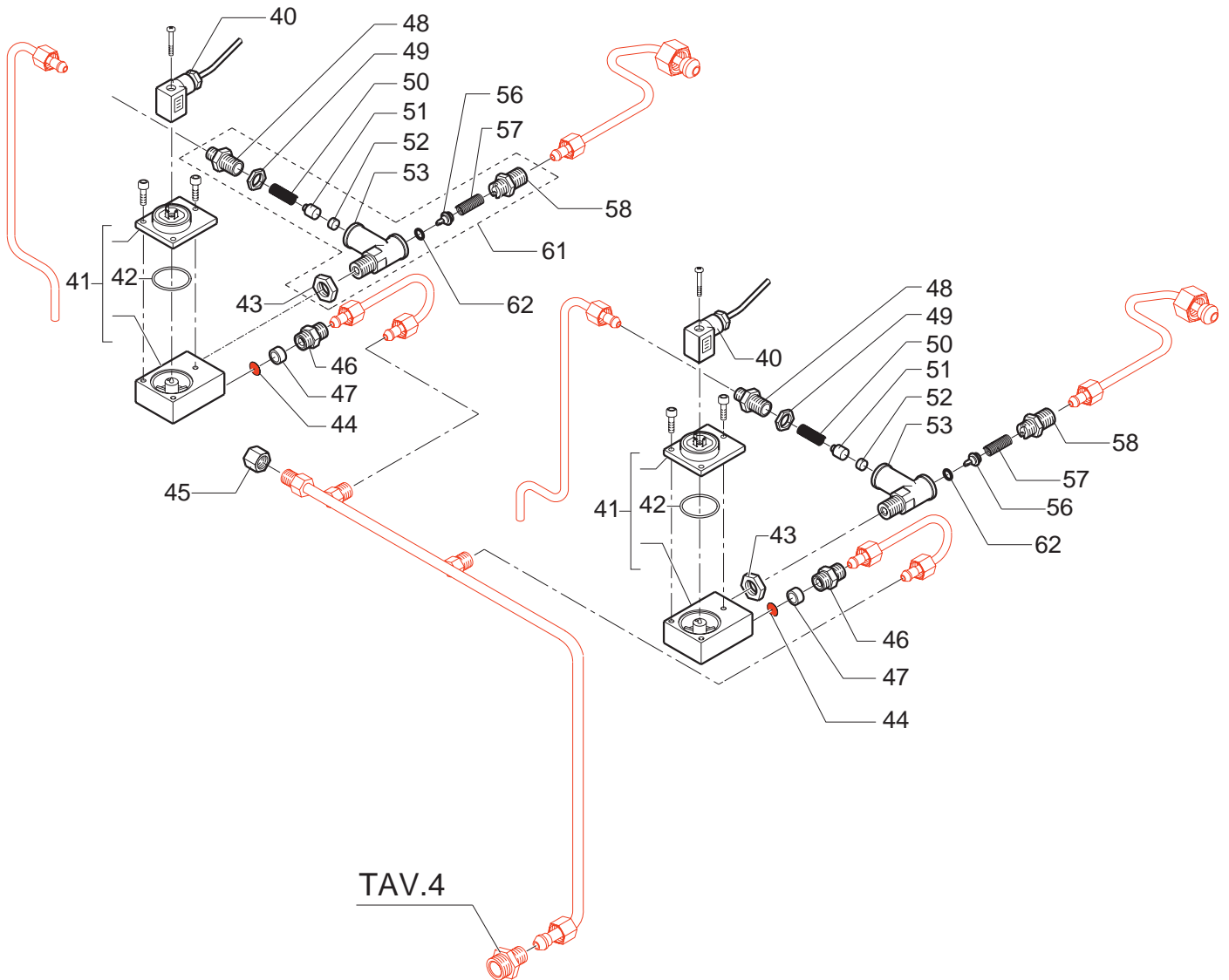


POS	DESCRIPTION	CODE	REFERENCE
01	PRESSOSTAT SIRAI P302/6	7433001	U/5 2343
02	NUT M10 UNI 5587 ASTM A194	7812608	-
03	SQUARE FRO PRESSOSTAT	5017814LW	B 3026
04	NUT 1/4"G H5 OT	5221821	T 1498
06	NUT M8 UNI 5587 ASTM A194	7812607	-
07	HEATING ELEMENT 1GR 1400W 110/120V	5721114	T/12 1561/110
07	HEATING ELEMENT 1GR 2000W 220/230V	5722220	T/12 1561/220
07	HEATING ELEMENT 1GR 2000W 240V	5722416	T/12 1561/240
07	HEATING ELEMENT 2GR 220/230 4500W (SPECIAL)	5722230	T/11 1555/220
07	HEATING ELEMENT 2GR 240V 4000W (SPECIAL)	5722418	T/13 1571/240
07	HEATING ELEMENT 2GR 2600W 110/120V	5721115	T/12 1562/110
07	HEATING ELEMENT 2GR 3000W 220/230V	5722221	T/12 1562/220
07	HEATING ELEMENT 2GR 3000W 240V	5722417	T/12 1562/240
07	HEATING ELEMENT 2GR 3500W 220/230V (SPECIAL NOT CE)	5722224	T/12 1563/220
07	HEATING ELEMENT 2GR 3500W 240V(SPECIAL NOT CE)	5722423	T/12 1563/240
07	HEATING ELEMENT 2GR COMPACT 110/120V 1800W	5721124	-
07	HEATING ELEMENT 2GR COMPACT 220/230V 2500W	5722234	T/8 1526/220
07	HEATING ELEMENT 2GR COMPACT 240V 2500W	5722409	T/8 1526/240
07	HEATING ELEMENT 3-4GR 3000W 110/120V	5721116	T/12 1564/110
07	HEATING ELEMENT 3-4GR 5000W 220/230V	5722222	T/12 1564/220
07	HEATING ELEMENT 3-4GR 5000W 240V	5722419	T/12 1564/240
07	HEATING ELEMENT 3GR 220/230V 6000W	5722233	T/11 1556/220
08	FASTON 45° HOLE D4.3	7615003	J 542
09	SCREW TCI M4X6 UNI 6107 OT	7826212	F 1219
11	TIE ROD M8 X 31 ASTM A193	5267013	F 980
12	STRAIGHT FITTING M12 X M10 OT	5302010	F 683
13	GASKET D76 X 39 X 2 ASBESTOS FREE	5492006	T 1493
14	PLUG M10 H12 OT	5226404	F 682
16	BOILER FLANDE D205 OT	5283502	W 2152
17	GASKET D203 X 151 X 2 ASBESTOS FREE	5492005	J 57A
18	TIE ROD M10 X 33 ASTM A193	5267012	-
19	ASSEMBLY MAXIMUM LEVE PROBE 1GR	5973011	-
19	ASSEMBLY MAXIMUM LEVE PROBE 2-3-4GR	5973012	-
20	LEVEL PROBE 2-3-4GR. D3X90X6.3 AISI 304	5265807	Y/5 2381
20	LEVEL PROBE 1GR D3 X 110 X 6.3	5265804	Y/10 2394
21	STRAIGHT FITTING M10 OT	5225205	Y 2257/2
22	PROBE SHEATH D8 X 45 HOLE D3 PTFE	5192001	Y/5 2383/A
23	CAP NUT M12	5221813	F 637/A
24	LEVEL PROBE D3X160X4.8	5265811	Y/5 2420
25	ASSEMBLY MINIMUM LEVE PROBE 1-2-3-4GR	5973013	-
26	FITTING 1/4"G X 1/2"GC H55 OT	5300504	F 1030
28	COMPLETE CUP	5963047	-
29	ASSEMBLY SAFETY VALVE 1.5 BAR	5965015	R/3 1403
30	CAP NUT M13 X 1	5221840	F 639/B
31	BOILER 2GR COMPACT	5321008BL	-
31	BOILER DE 1GR	5320511BL	-
31	BOILER DE 2GR	5321006BL	-
31	BOILER DE 3GR	5321506BL	-
31	BOILER DE 4GR	5322004BL	-
32	PLUG 3/8"G	5226403	F 643
33	COMPLETE WATER SUCTION HOSE 4 WAY	5301001LL	F 913
35	EXTERNAL HEAT EXCHANGER POLISHED	5329008BL	X/16 2322
37	COMPLETE EXCHANGER SUCTION HOSE DE	5162012LL	W/8 2226



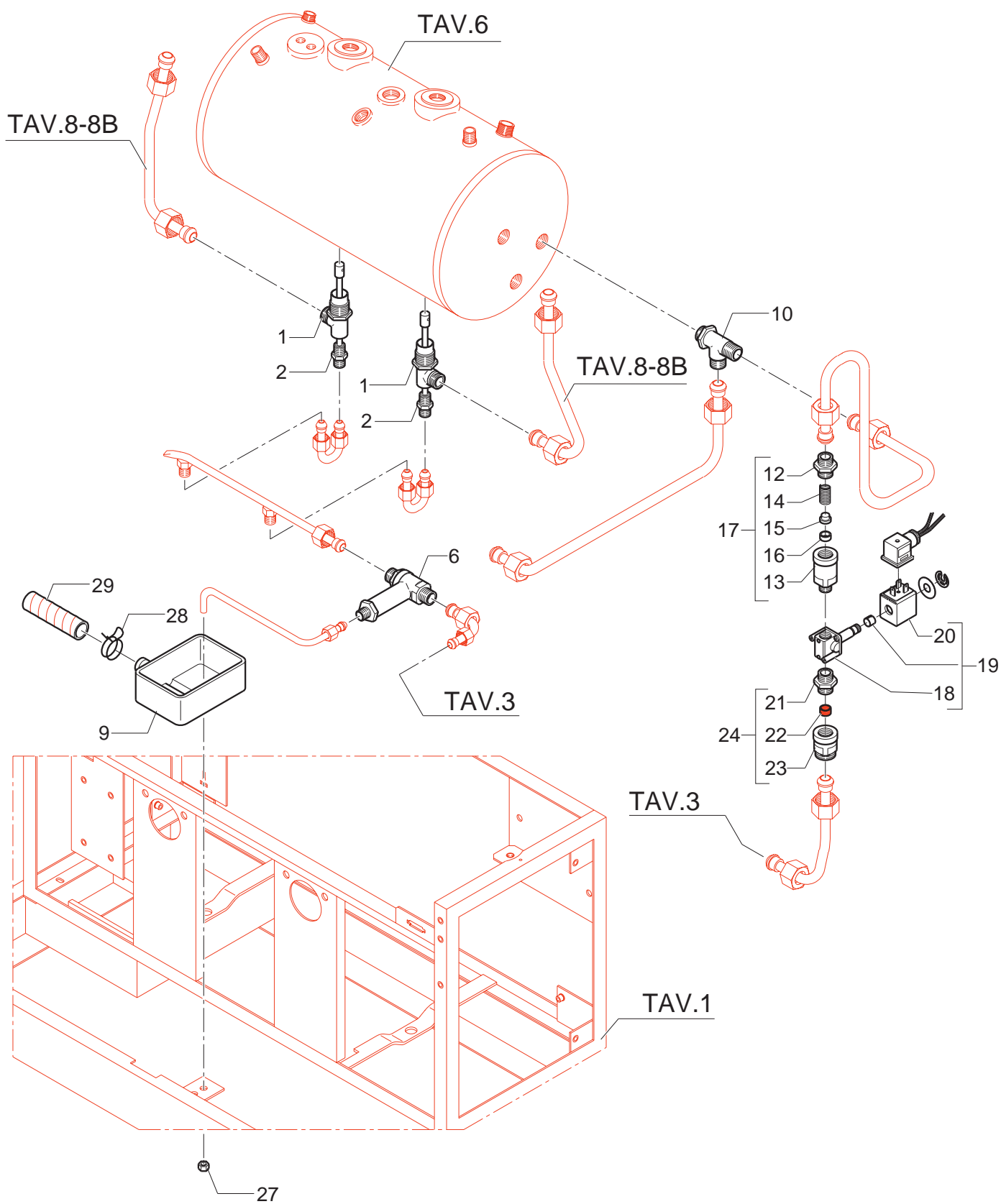


POS	DESCRIPTION	CODE	REFERENCE
40	FLOW METER CONNECTOR	7631505.....	X/22 2367
41	FLOW METER + AUT. WITH LED	7431001.....	X/22 2365
42	OR GASKET 2112 VITON.....	7496020.....	X/15 2320
43	NUT 1/4"G H5 OT	5221821.....	T 1498
44	NET FILTER D11 AISI 304.....	5471001.....	J 678
45	CAP NUT M12	5221813.....	F 637/A
46	STRAIGHT FITTING M12 X 1/4"G H24 OT	5302009.....	F 1031
47	SPACER D11X8X6.5 PTFE	5191501.....	J 621
48	STRAIGHT FITTING M12 X 1 ES.16 H31 OT.....	5302031.....	X/1 2228
49	SPACER D16 H12.2.....	5222201.....	-
50	CALIBRATED SPRING D1 H26 AISI 302	5471506.....	X/1 2226
51	GASKET-HOLDER D5.3	5224609.....	X/1 2225
52	GASKET D8 X 4 EPT 70SH.....	5493001.....	M/9 2463EP
53	SURPRESSION VALVE BODY	5283040.....	-
56	GASKET-HOLDER	5224615.....	-
57	CALIBRATED SPRING D0.45 H22 AISI 302	5471505.....	X/1 2222
58	STRAIGHT FITTING M12 H26.5 OT	5302017.....	X/1 2221
61	COMPLETE SURPRESSION VALVE.....	7452508.01.....	X/15 2316
62	OR GASKET 105 VITON.....	7496018.....	C 311



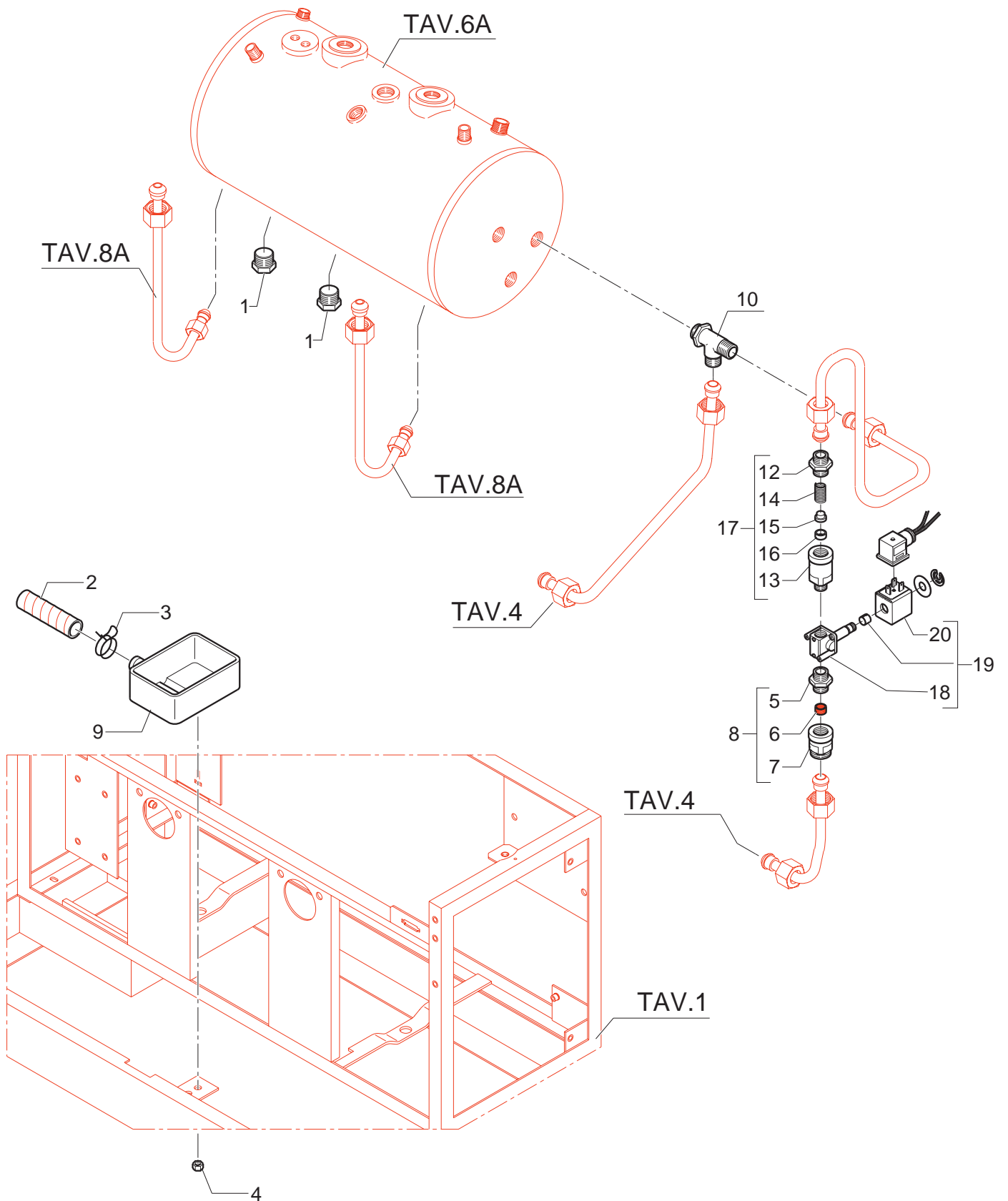


POS	DESCRIPTION	CODE	REFERENCE
01	FITTING 1/4"G X 1/2"GC H55 OT	5300504.....	F 1030
01	FITTING 1/4"G X 1/4"G X 1/2"G X 1/2"NPT OT (VERSION 1/2")	5300509.....	F 1188
02	ASSEMBLY EXCHANGER SUCTION HOSE 2 HOLES	5162085LA	W/6 2223
06	COMPLETE SURPRESSION VALVE.....	7452505.....	P 1330
09	DRIP TRAY WITH SCREW	5373602.....	F 1209
10	FITTING 3/8"G OT	5300505.....	F 1309
12	STRAIGHT FITTING 3/8"G OT	5302037.....	P 1315
13	CHECK VALVE BODY	5283028.....	Y/P 2273
14	CHECK VALVE SPRING AISI 302	5471518.....	P 1314
15	GASKET-HOLDER D14.5 X 12 OT	5224604.....	P 1313
16	GASKET D12 X 5 NBR 70SH	5493011.....	P 1312
17	ASSEMBLY COMPLETE CHECK VALVE	5965013.....	Y/P 2278
18	SOLENOID VALVE WITHOUT COIL	7703009.....	-
19	SOLENOID VALVE 110V SIRAI	7701109.....	-
19	SOLENOID VALVE 240V SIRAI	7702408.....	-
19	SOLENOID VALVE SIRAI 220/230V	7702308.....	-
20	SOLENOID VALVE COIL V110	7630301.....	Y/3 2371-110
20	SOLENOID VALVE COIL 220/230V	7630303.....	Y/3 2371-230
20	SOLENOID VALVE COIL V240	7630304.....	Y/3 2371-240
21	STRAIGHT FITTING 3/8"G X 1/8"G ES.22 H25 OT.....	5288002.....	F 900
22	FILTER D13.5 H11 AISI 304	5471002.....	A 113
23	FILTER-HOLDER BODY	5286005.....	F 899
24	ASSEMBLY FILTER HOLE D1 COMPLETE	5965034.....	Y/1 2272
27	NUT M6 UNI 5587 OT.....	7821403.....	F 992
28	CLAMP D22 FE.....	7611501.....	F 1266
29	HOSE D22 L=2MT PLASTIC	7303501.....	F 1299





POS	DESCRIPTION	CODE	REFERENCE
01	PLUG 1/2"G H18 OT	5226406.....	W/8 2225
02	HOSE D22 L=2MT PLASTIC	7303501.....	F 1299
03	CLAMP D22 FE	7611501.....	F 1266
04	NUT M6 UNI 5587 OT	7821403.....	F 992
05	STRAIGHT FITTING 3/8"G X 1/8"G ES.22 H25 OT.....	5288002.....	F 900
06	FILTER D13.5 H11 AISI 304	5471002.....	A 113
07	FILTER-HOLDER BODY	5286005.....	F 899
08	ASSEMBLY FILTER HOLE D1 COMPLETE	5965034.....	Y/1 2272
09	DRIP TRAY WITH SCREW	5373602.....	F 1209
10	FITTING 3/8"G OT	5300505.....	F 1309
12	STRAIGHT FITTING 3/8"G OT	5302037.....	P 1315
13	CHECK VALVE BODY	5283028.....	Y/P 2273
14	CHECK VALVE SPRING AISI 302	5471518.....	P 1314
15	GASKET-HOLDER D14.5 X 12 OT	5224604.....	P 1313
16	GASKET D12 X 5 NBR 70SH	5493011.....	P 1312
17	ASSEMBLY COMPLETE CHECK VALVE	5965013.....	Y/P 2278
18	SOLENOID VALVE WITHOUT COIL.....	7703009.....	-
19	SOLENOID VALVE 110V SIRAI	7701109.....	-
19	SOLENOID VALVE 240V SIRAI	7702408.....	-
19	SOLENOID VALVE SIRAI 220/230V	7702308.....	-
20	SOLENOID VALVE COIL V110	7630301.....	Y/3 2371-110
20	SOLENOID VALVE COIL 220/230V	7630303.....	Y/3 2371-230
20	SOLENOID VALVE COIL V240	7630304.....	Y/3 2371-240



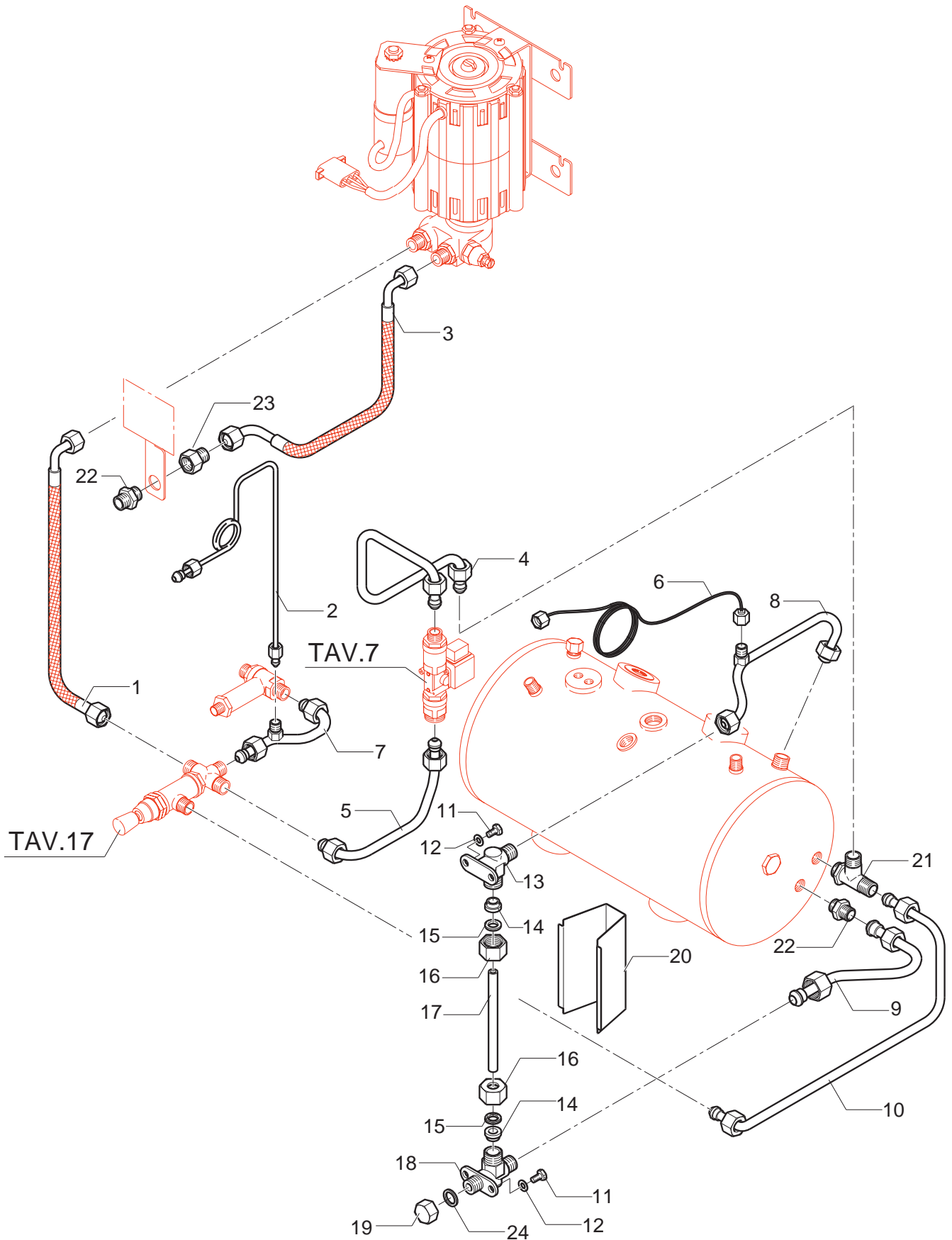


POS	DESCRIPTION	CODE	REFERENCE
01	FLEXIBLE HOSE L=350	7200505.....	F 1170
02	WATER PRESSURE GAUGE HOSE	5161014LL.....	06.16.00.125
03	FLEXIBLE HOSE L=255	7200506.....	F 1171
04	OUTLET HOSE L/A	5164041LL.....	06.16.00.196
05	INLET AUTOMATIC LEVEL HOSE	5164043LL.....	06.16.00.078
06	PRESSURE GAUGE CAPILLARY	7400901.....	-
07	PRE-VALVE HOSE.....	5164045LL.....	06.16.00.034
08	UPPER LEVEL HOSE	5164046LL.....	06.16.00.152
09	BOTTOM LEVEL HOSE.....	5164033LL.....	06.16.00.151
10	BOILER LOAD HOSE	5164042LL.....	06.16.00.093
11	SCREW TE M6X8 UNI 5739 8.8.....	7806405ZN.....	F 829
12	PLAIN WASHER D6 UNI 6592 FEZN	7805004.....	-
13	GLASS LEVEL UPPER FITTING OT	5302507.....	S 1411
14	GLASS-LEVEL GASKET RUBBER	5493026.....	S 1412
15	GASKET-PRESS D18 X 11 X 3	5224802.....	S 1413
16	NUT 1/2"G HOLE D12.7 OT.....	5221828.....	F 621
17	GLASS-LEVEL HOSE D10 X 2.2 L=135MM SILCKSCREENED	5430504.....	S 1415
18	GLASS LEVEL BOTTOM FITTING OT	5302506.....	S 1420
19	CAP NUT 3/8"G ES.22 H13 OT CHROMED.....	5221819CM.....	S 1419
20	GLASS-LEVEL COVER	5053004LW.....	-
21	FITTING 3/8"G OT	5300505.....	F 1309
22	STRAIGHT FITTING 3/8"G	5302011.....	F 645
23	STRAIGHT FITTING 3/8"G ES.22 H25 OT	5302013.....	F 921
24	GASKET D15X3 ASBESTOS FREE	5492011.....	F 730

Mod. B2000PM
B2000MN
B2000TE
B2000TP
B2000TPNT

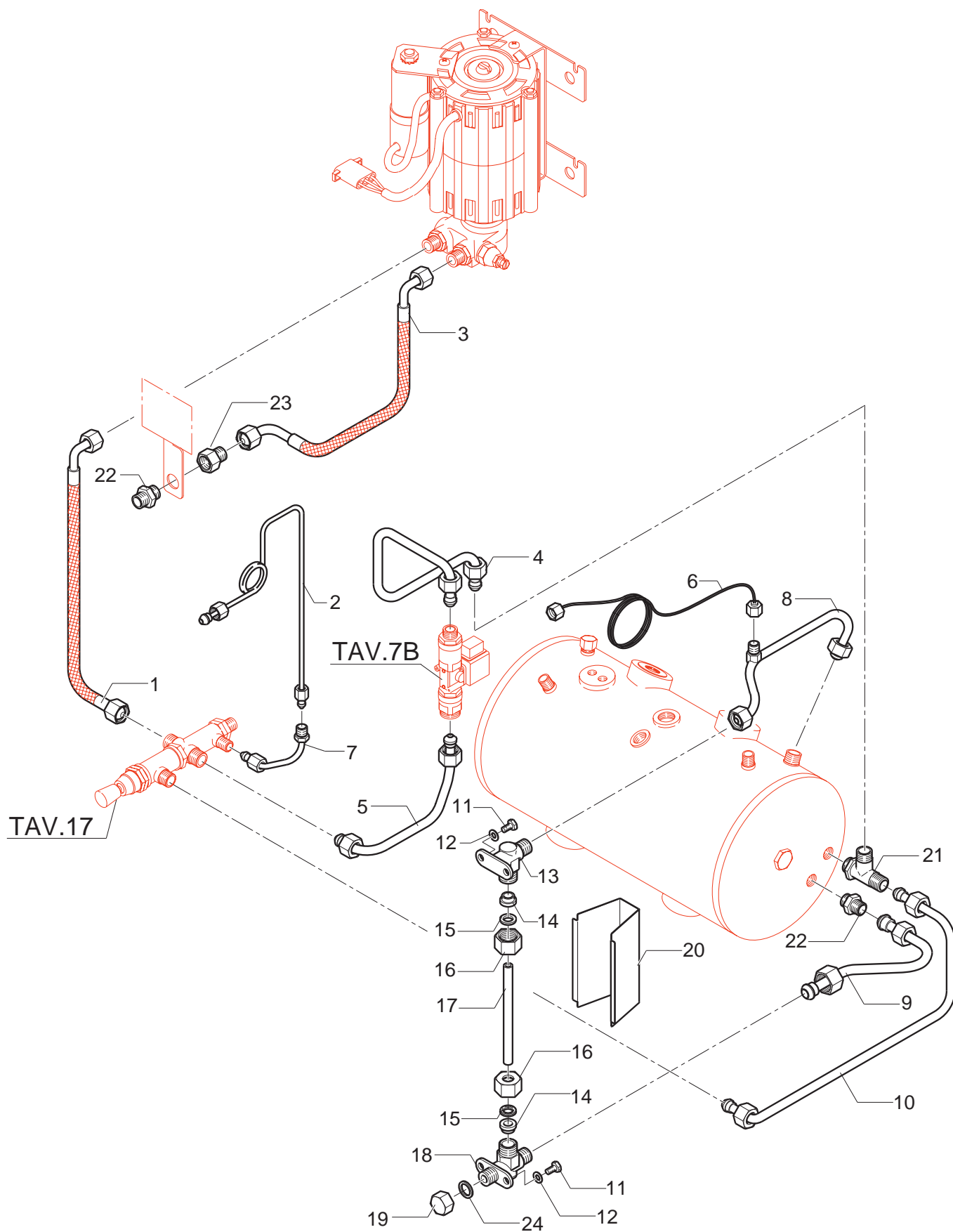
Tav. 07C

BEZZERA
dal 1901



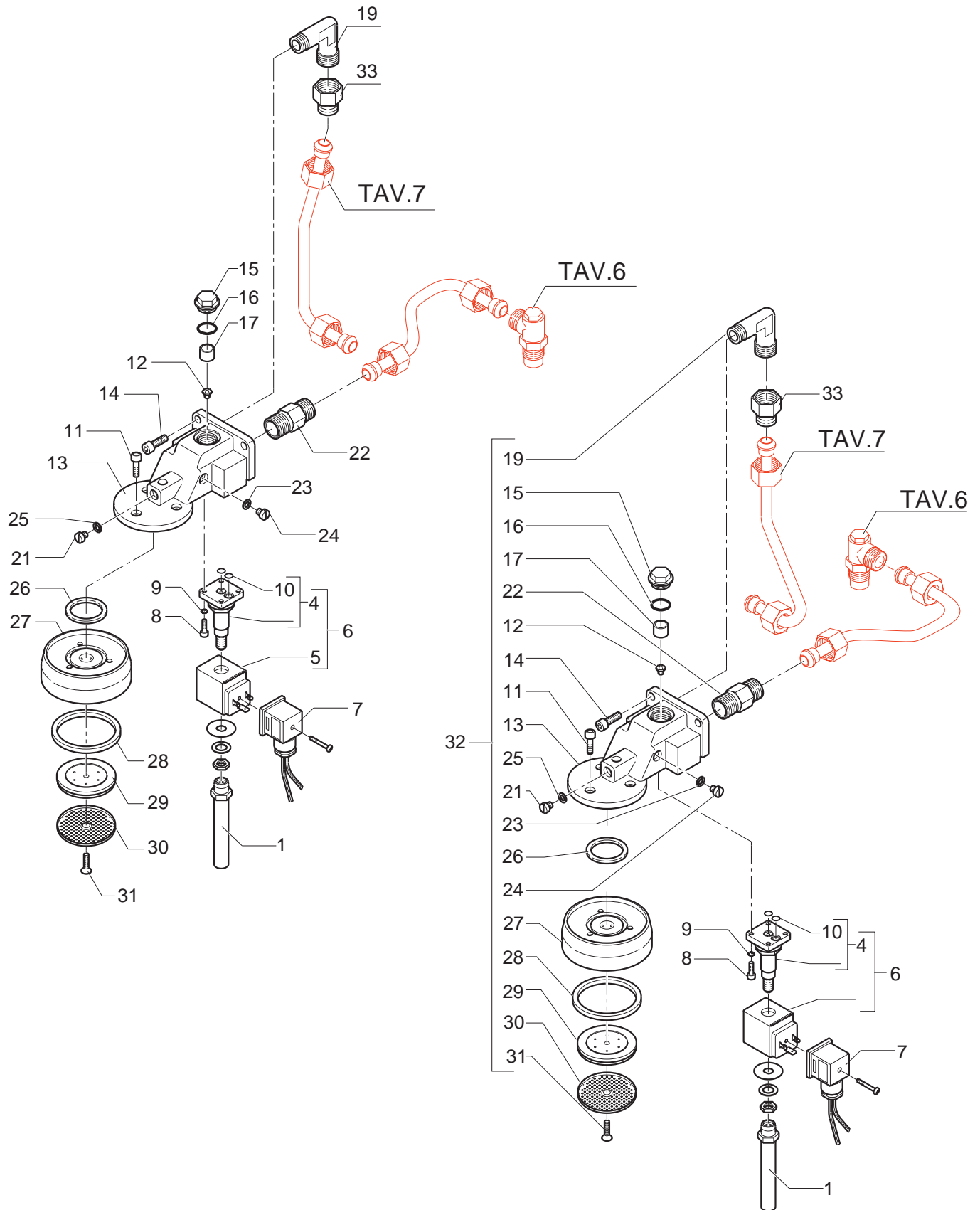


POS	DESCRIPTION	CODE	REFERENCE
01	FLEXIBLE HOSE L=350	7200505.....	F 1170
02	WATER PRESSURE GAUGE HOSE	5161014LL.....	06.16.00.125
03	FLEXIBLE HOSE L=255	7200506.....	F 1171
04	OUTLET HOSE L/A	5164041LL.....	06.16.00.196
05	INLET AUTOMATIC LEVEL HOSE	5164043LL.....	06.16.00.078
06	PRESSURE GAUGE CAPILLARY	7400901	-
07	INLET PRESSURE GAUGE WATER HOSE	5162142LL.....	06.16.00.022
08	UPPER LEVEL HOSE	5164046LL.....	06.16.00.152
09	BOTTOM LEVEL HOSE	5164033LL.....	06.16.00.151
10	BOILER LOAD HOSE	5164042LL.....	06.16.00.093
11	SCREW TE M6X8 UNI 5739 8.8.....	7806405ZN.....	F 829
12	PLAIN WASHER D6 UNI 6592 FEZN	7805004.....	-
13	GLASS LEVEL UPPER FITTING OT	5302507	S 1411
14	GLASS-LEVEL GASKET RUBBER	5493026.....	S 1412
15	GASKET-PRESS D18 X 11 X 3	5224802.....	S 1413
16	NUT 1/2"G HOLE D12.7 OT.....	5221828.....	F 621
17	GLASS-LEVEL HOSE D10 X 2.2 L=135MM SILCKSCREENED	5430504	S 1415
18	GLASS LEVEL BOTTOM FITTING OT	5302506.....	S 1420
19	CAP NUT 3/8"G ES.22 H13 OT CHROMED.....	5221819CM	S 1419
20	GLASS-LEVEL COVER	5053004LW.....	-
21	FITTING 3/8"G OT	5300505.....	F 1309
22	STRAIGHT FITTING 3/8"G	5302011	F 645
23	STRAIGHT FITTING 3/8"G ES.22 H25 OT	5302013.....	F 921
24	GASKET D15X3 ASBESTOS FREE	5492011	F 730



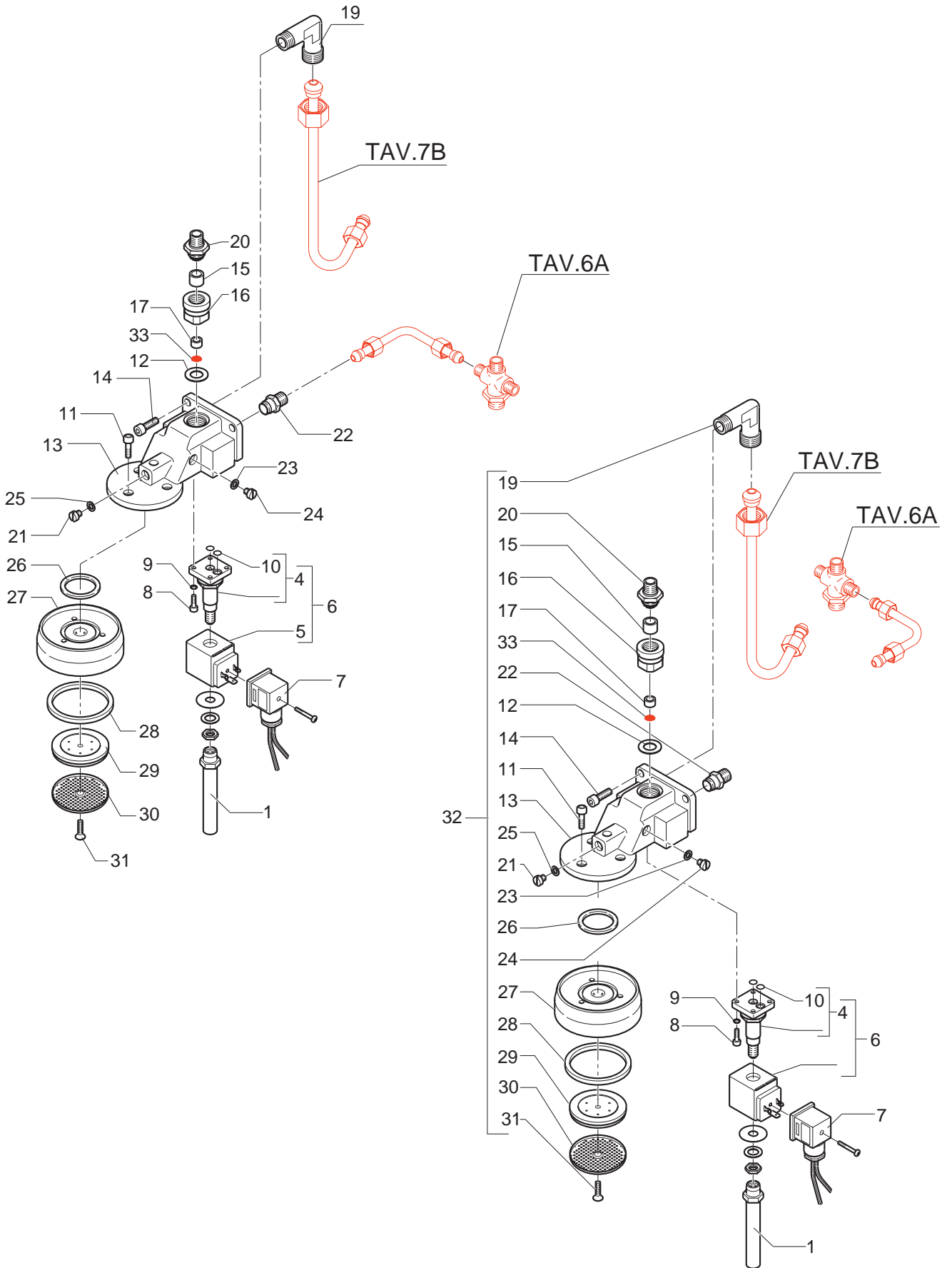


POS	DESCRIPTION	CODE	REFERENCE
01	SOLENOID VALVE DRAIN HOSE D16	5166007BL	-
04	SOLENOID VALVE WITHOUT COIL LUCIFER.....	7703001	C 332
04	SOLENOID VALVE WITHOUT COIL SIRAI.....	7703008.....	-
05	SOLENOID VALVE COIL OF THE GROUP V110 LUCIFER.....	7630305.....	C 317-110
05	SOLENOID VALVE COIL OF THE GROUP 110V SIRAI.....	7630321.....	-
05	SOLENOID VALVE COIL OF THE GROUP V220/240 LUCIFER.....	7630306.....	C 317-220
05	SOLENOID VALVE COIL OF THE GROUP 220/240V SIRAI.....	7630322.....	-
06	SOLENOID VALVE 3 WAY 110V SIRAI.....	7701108.....	-
06	SOLENOID VALVE 3 WAY 220/240V SIRAI.....	7702210.....	-
07	GROUP SOLENOID VALVE CONNECTOR.....	7631506.....	C/1 319
08	SCREW TCEI M4X12	7816002.....	F 1600
09	GROWER WASHER Ø4.....	7813801.....	F 785
10	OR GASKET 105 VITON.....	7496018.....	C 311
11	SCREW TCEI M5X12 UNI 5931 A2.....	7816001.....	A 121
12	JET M5 X 9 HOLE D0.8 OT	5223001.....	A 114
12	JET M5 X 9 HOLE D1 OT (SPECIAL).....	5223002.....	A 114/1
13	DELIVERY GROUP BODY P-TE-TP OT	5283004.....	A/C 131
14	SCREW TCEI M8X25 UNI 5931 A2.....	7816015.....	A 116B
15	PLUG M18 H16 OT	5288001.....	A 111
16	OR GASKET 119 VITON.....	7496005.....	A 112
17	FILTER D13.5 H11 AISI 304	5471002.....	A 113
19	UNION ELBOW 1/4"G X 1/2"G OT.....	5301502.....	F 1189
19	UNION ELBOW 1/4"G X 3/8"G OT.....	5301501.....	F 896
21	SCREW M6 X 6 OT.....	5227001.....	A 124
22	STRAIGHT FITTING 1/4" X 1/2"G OT.....	5225202.....	F 1187
22	STRAIGHT FITTING 1/4" X 3/8"G OT.....	5225201.....	F 1038
23	GASKET D11 X 8.5 X 1 ASBESTOS FREE	5492002.....	J 304
24	SCREW M8 X 6 OT.....	5227002.....	A 125
25	GASKET D10,5X6,3X1 ASBESTOS FREE	5492001.....	J 298
26	OR GASKET 139 VITON.....	7496004.....	A 122
27	COUPLING RING CHROMED (FROM 01/04/01)	5280502CM	A/B 153P
28	OVERSIZE OR GASKET 160 75SH	7496038.....	J 48/75
28	OVERSIZE OR GASKET 160 85SH	7496039.....	J 48/85
28	OR GASKET 160 NBR 75SH.....	7496011.....	A 117N
28	OR GASKET 160 VITON 80SH.....	7496029.....	A 117V
28	GASKET H 9,3 NBR 90SH	7493008.....	-
29	SHOWER-HOLDER D57OT.....	5285501.....	A 132
29	SHOWER-HOLDER D57X3.2 OT (SPECIAL).....	5285502.....	-
30	SHOWER D51.9 WITH NET AISI 304 (OLD TYPE).....	5470504.....	A 119
30	SHOWER D57 AISI 304.....	5470501.....	A 130
31	SCREW TPS M5X12 DIN 963 A2 (OLD TYPE).....	7817007.....	A 120
31	SCREW TPS M5X16 DIN 963 A2.....	7817001.....	A 131
32	ASSEMBLY DELIVERY GROUP TE 1/2"G GASKET.....	5963534.01.....	A/C 135
32	ASSEMBLY DELIVERY GROUP TE 3/8"G GASKET.....	5963513.01.....	-
33	STRAIGHT FITTING 3/8"G ES.22 H25 OT	5302013.....	F 921



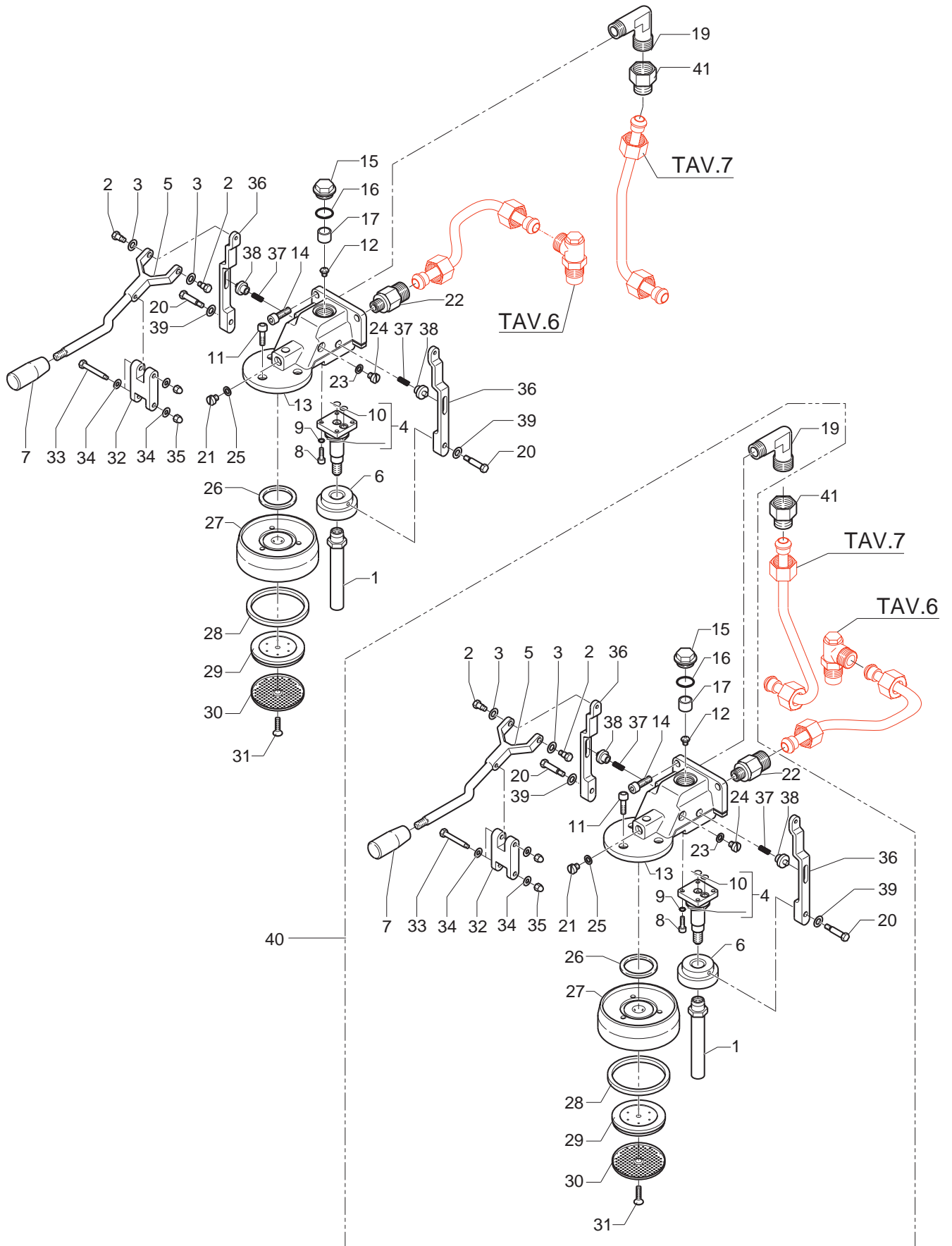


POS	DESCRIPTION	CODE	REFERENCE
01	SOLENOID VALVE DRAIN HOSE D16	5166007BL	-
04	SOLENOID VALVE WITHOUT COIL LUCIFER.....	7703001.....	C 332
04	SOLENOID VALVE WITHOUT COIL SIRAI.....	7703008.....	-
05	SOLENOID VALVE COIL OF THE GROUP V110 LUCIFER.....	7630305.....	C 317-110
05	SOLENOID VALVE COIL OF THE GROUP 110V SIRAI.....	7630321.....	-
05	SOLENOID VALVE COIL OF THE GROUP V220/240 LUCIFER.....	7630306.....	C 317-220
05	SOLENOID VALVE COIL OF THE GROUP 220/240V SIRAI.....	7630322.....	-
06	SOLENOID VALVE 3 WAY 110V SIRAI.....	7701108.....	-
06	SOLENOID VALVE 3 WAY 220/240V SIRAI.....	7702210.....	-
07	GROUP SOLENOID VALVE CONNECTOR.....	7631506.....	C/1 319
08	SCREW TCEI M4X12	7816002.....	F 1600
09	GROWER WASHER Ø4.....	7813801.....	F 785
10	OR GASKET 105 VITON.....	7496018.....	C 311
11	SCREW TCEI M5X12 UNI 5931 A2.....	7816001.....	A 121
12	GASKET D22 X 13.5 X 2 ASBESTOS FREE	5492003.....	T 1499
13	DELIVERY GROUP BODY DE OT.....	5283003.....	A/B 151
14	SCREW TCEI M8X25 UNI 5931 A2.....	7816015.....	A 116B
15	FILTER D13.5 H11 AISI 304	5471002.....	A 113
16	FILTER-HOLDER FITTING HOLE D0.8 OT.....	5302002.....	F 941
16	FILTER-HOLDER FITTING HOLE D1 OT (SPECIAL)	5302052.....	A/B 145/1
17	SPACER D11X8X6.5 PTFE	5191501.....	J 621
19	UNION ELBOW 1/4"G X 3/8"G OT.....	5301501.....	F 896
20	FITTING M13 X 3/8".....	5226401.....	A/B 161
21	SCREW M6 X 6 OT.....	5227001.....	A 124
22	STRAIGHT FITTING 1/4"G X M13 OT.....	5302001.....	F 895
23	GASKET D11 X 8.5 X 1 ASBESTOS FREE	5492002.....	J 304
24	SCREW M8 X 6 OT.....	5227002.....	A 125
25	GASKET D10,5X6,3X1 ASBESTOS FREE	5492001.....	J 298
26	OR GASKET 139 VITON.....	7496004.....	A 122
27	COUPLING RING CHROMED (FROM 01/04/01)	5280502CM.....	A/B 153P
28	OVERSIZE OR GASKET 160 75SH	7496038.....	J 48/75
28	OVERSIZE OR GASKET 160 85SH	7496039.....	J 48/85
28	OR GASKET 160 NBR 75SH.....	7496011.....	A 117N
28	OR GASKET 160 VITON 80SH.....	7496029.....	A 117/V
28	GASKET H 9,3 NBR 90SH	7493008.....	-
29	SHOWER-HOLDER D57OT.....	5285501.....	A 132
29	SHOWER-HOLDER D57X3.2 OT (SPECIAL).....	5285502.....	-
30	SHOWER D51.9 WITH NET AISI 304 (OLD TYPE).....	5470504.....	A 119
30	SHOWER D57 AISI 304.....	5470501.....	A 130
31	SCREW TPS M5X12 DIN 963 A2 (OLD TYPE)	7817007.....	A 120
31	SCREW TPS M5X16 DIN 963 A2	7817001.....	A 131
32	ASSEMBLY DELIVERY GROUP GASKET	5963506.01.....	A/B 158/P
33	NET FILTER D11 AISI 304.....	5471001.....	J 678





POS	DESCRIPTION	CODE	REFERENCE
01	SOLENOID VALVE DRAIN HOSE D16	5166007BL	-
02	SCREW M5 X 14.5 AISI 303.....	5267007.....	F 948
03	NOTCHED WASHER D5 DIN 6798A A2.....	7814002.....	F 1344
04	SOLENOID VALVE WITHOUT COIL LUCIFER.....	7703001.....	C 332
05	GROUP FORK ECR/M OT NICKEL-PLATED	5284503NC.....	D/B 534
06	ASSEMBLY GROUP MAGNET ECR/M	5963015.....	D 421
07	KNOB D21 X 50 HOLE M8 PLASTIC	7371506.....	KB/7 1241
08	SCREW TCI M4X12 UNI 6107 A2	7816201.....	C 313
09	GROWER WASHER Ø4.....	7813801.....	F 785
10	OR GASKET 105 VITON.....	7496018.....	C 311
11	SCREW TCEI M5X12 UNI 5931 A2.....	7816001.....	A 121
12	JET M5 X 9 HOLE D0.8 OT	5223001.....	A 114
13	DELIVERY GROUP BODY ECR/M OT	5283030.....	D/B3567
14	SCREW TCEI M8X25 UNI 5931 A2.....	7816015.....	A 116B
15	PLUG M18 H16 OT	5288001.....	A 111
16	OR GASKET 119 VITON.....	7496005.....	A 112
17	FILTER D13.5 H11 AISI 304	5471002.....	A 113
19	UNION ELBOW 1/4"G X 1/2"G OT.....	5301502.....	F 1189
19	UNION ELBOW 1/4"G X 3/8"G OT.....	5301501.....	F 896
20	SCREWM5 X 31 AISI 303.....	5267004.....	F 1032
21	SCREW M6 X 6 OT.....	5227001.....	A 124
22	STRAIGHT FITTING 1/4" X 1/2"G OT.....	5225202.....	F 1187
22	STRAIGHT FITTING 1/4" X 3/8"G OT.....	5225201.....	F 1038
23	GASKET D11 X 8.5 X 1 ASBESTOS FREE	5492002.....	J 304
24	SCREW M8 X 6 OT.....	5227002.....	A 125
25	GASKET D10,5X6,3X1 ASBESTOS FREE	5492001.....	J 298
26	OR GASKET 139 VITON.....	7496004.....	A 122
27	COUPLING RING CHROMED	5280502CM	A/B 153P
28	OVERSIZE OR GASKET 160 75SH	7496038.....	J 48/75
28	OVERSIZE OR GASKET 160 85SH	7496039.....	J 48/85
28	OR GASKET 160 NBR 75SH.....	7496011.....	A 117N
28	OR GASKET 160 VITON 80SH.....	7496029.....	A 117/V
28	GASKET H 9,3 NBR 90SH	7493008.....	-
29	SHOWER-HOLDER D57OT.....	5285501.....	A 132
30	SHOWER D51.9 WITH NET AISI 304 (OLD TYPE).....	5470504.....	A 119
30	SHOWER D57 AISI 304.....	5470501.....	A 130
31	SCREW TPS M5X12 DIN 963 A2 (OLD TYPE).....	7817007.....	A 120
31	SCREW TPS M5X16 DIN 963 A2	7817001.....	A 131
32	GROUP FORK ARTICULATION ECR/M OT	5287002.....	D/B530
33	SCREW M4 X 40.5 AISI 303.....	5267008.....	F 951
34	WASHER Ø 4	7814001.....	-
35	CAP NUT M4 OT.....	7822201.....	D/B 528
36	GROUP SEMIFORK ECR/M OT	5284502.....	F 924/A
37	SPRING D8 X 26 AISI 302.....	5471529.....	X 2206
38	STUD D15 X 15 AISI 304.....	5264001.....	D/B 542
39	PLAIN WASHER D11 X 5,3 X 0.5.....	7825006.....	-
40	ASSEMBLY DELIVERY GROUP ECR/M CONNECTION 1/2"G.....	5963511.02.....	-
40	ASSEMBLY DELIVERY GROUP ECR/M CONNECTION 3/8"G.....	5963512.02.....	-
41	STRAIGHT FITTING 3/8"G ES.22 H25 OT	5302013.....	F 921



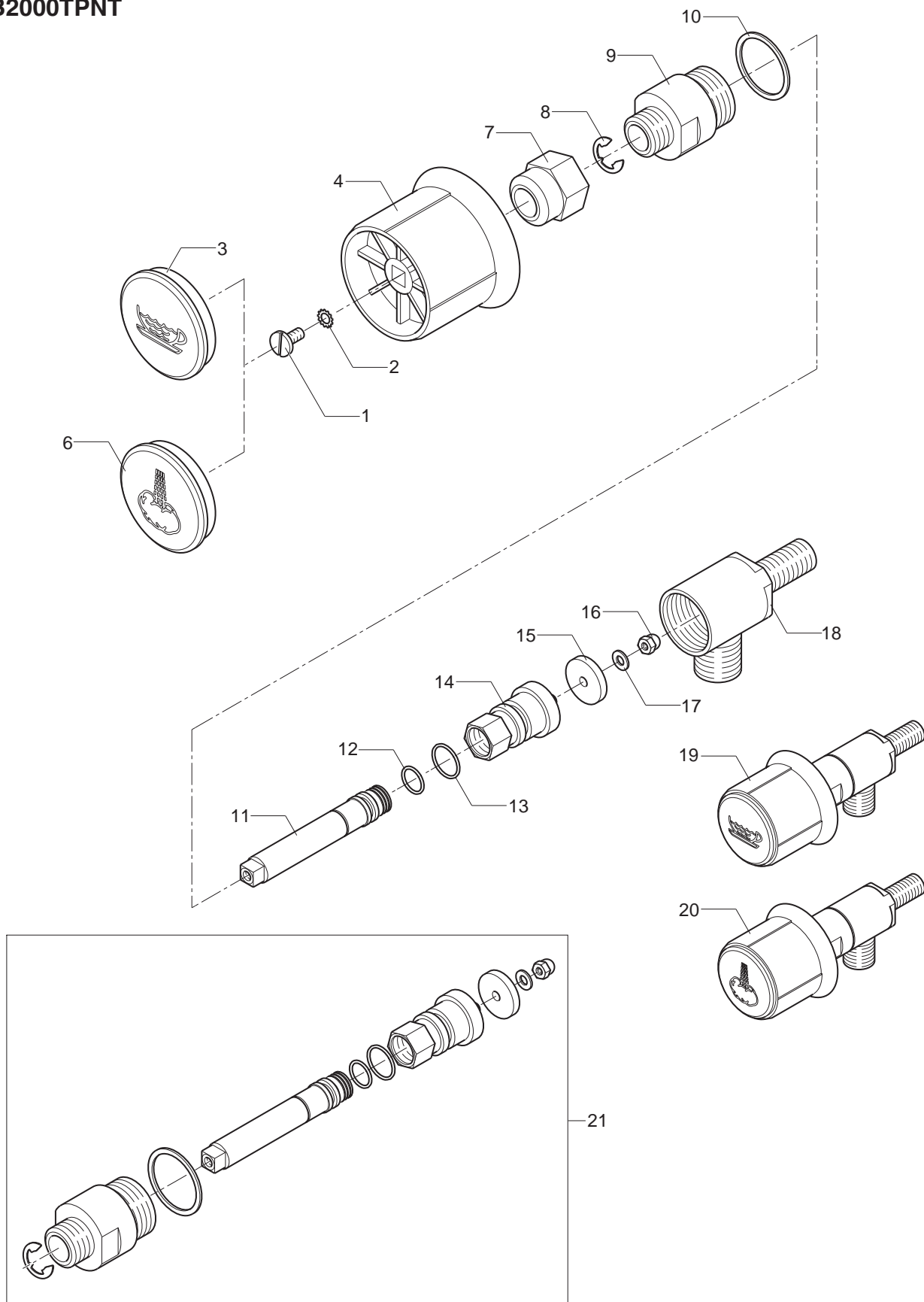


POS	DESCRIPTION	CODE	REFERENCE
01	SCREW TCI M5X10 UNI 6107 OT.....	7826202.....	F 794A
02	FAN WASHER D6 DIN 6798A.....	7804002.....	F 736
03	WATER PLUG.....	5373906.....	M/5 2436
04	KNOB D48.....	5371803.....	-
06	STEAM PLUG.....	5373905.....	M/5 2435
07	NUT 3/8" G OT NICKEL-PLATED.....	5221804NC.....	M/5 2424
08	RING D7 UNI 7434 A2.....	7810601.....	M/5 2425
09	FOR MACHINES BUILT UNTIL 21/02/05 SEE POSN. 21		
09	NUT SCREW (FROM 22/02/05).....	5223402.....	M/5 2426
10	GASKET D28 X 1 COPPER.....	5495001.....	M/5 2434
11	FOR MACHINES BUILT UNTIL 21/02/05 SEE POSN. 21		
11	ROD (FROM 22/02/05).....	5220413.....	-
12	OR GASKET 108 VITON (UP TO 21/02/05).....	7496003.....	M/5 2428
12	OR GASKET 10,82X1,78 VITON (FROM 22/02/05).....	7496075.....	-
13	OR GASKET 115 VITON.....	7496002.....	M/5 2430
14	FOR MACHINES BUILT UNTIL 21/02/05 SEE POSN. 21		
14	GASKET-HOLDER WITH DOWEL (FROM 22/02/05).....	5970504.01.....	-
15	TAP GASKET EPT 70SH.....	5493023.....	M/5 2431EP
16	CAP NUT M4 OT.....	7822201.....	D/B 528
17	PLAIN WASHER D8 X 4 X 0.8 OT.....	7825001.....	F 1218
18	TAP BODY OT.....	5283002LL.....	M/5 2433 SVAS
19	ASSEMBLY WATER TAP.....	5974006.01.....	-
20	ASSEMBLY STEAM TAP.....	5974005.01.....	-
21	TAP KIT FOR MACHINES BUILT UNTIL 21/02/05.....	5976523.....	-

Mod. B2000DE
B2000PM
B2000MN
B2000TE
B2000TP
B2000TPNT

Tav. 09

BEZZERA
dal 1901



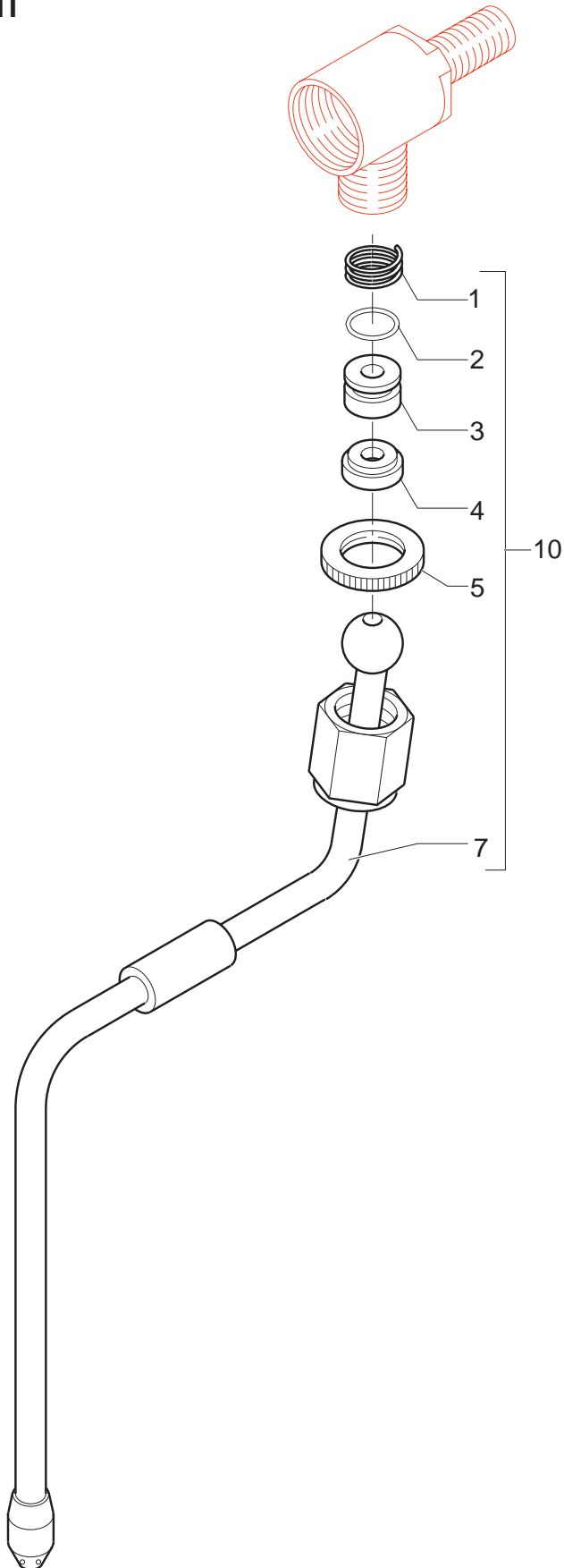


POS	DESCRIPTION	CODE	REFERENCE
01	SPRING D14 AISI 302	5471504.....	O/6 2500
02	OR GASKET 112 EPDM 70SH.....	7496076.....	-
03	GASKET-HOLDER D14.7 X 10.5 OT	5224605.....	O/6 2502
04	GASKET D16X6X6 PTFE GRAPHITIZED	5494002.....	O/6 2503
05	RING NUT M18.....	5222801.....	O/1 1251G
06	NUT M18 NICKEL-PLATED	5221824NC.....	-
07	COMPLETE HOSE STAINLESS STEEL.....	7479928.....	-
10	ASSEMBLY COMPLETE STEAM HOSE	5966502.01.....	O/16 2541V

Mod. B2000DE
B2000PM
B2000MN
B2000TE
B2000TP
B2000TPNT

Tav. 10

BEZZERA
dal 1901



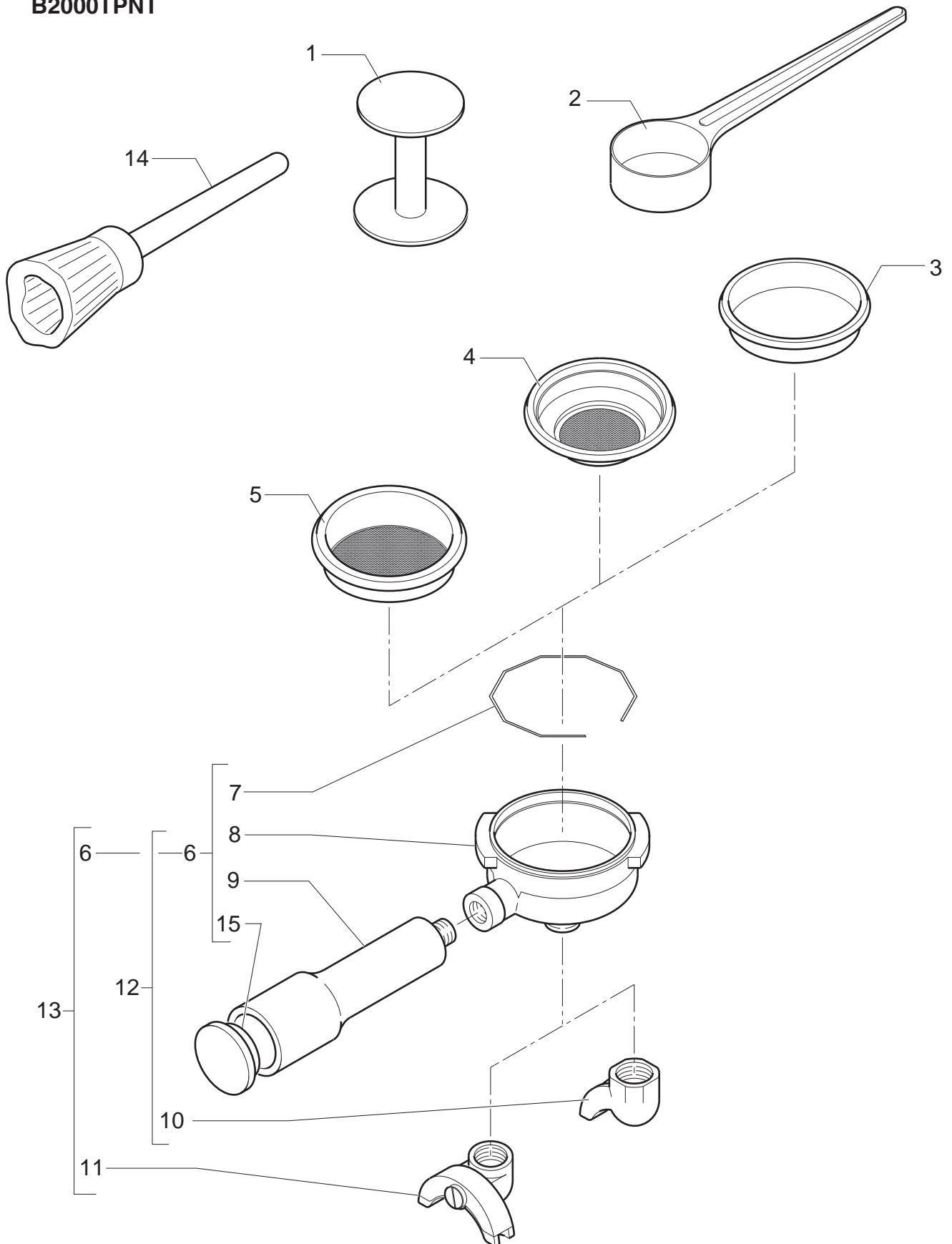


POS	DESCRIPTION	CODE	REFERENCE
01	COFFEE-PRESS ABS	5373001	H 862
02	MEASURER ABS.....	5372101.....	H 861
03	BLIND FILTER AISI 304	5471003.....	H 855
04	FILTER 1 CUP 5 GRAMS	5471010.....	H 874
04	FILTER 1 CUP 6 GRAMS	5471004.....	H 856
04	FILTER 1 CUP 8 GRAMS AISI 304.....	5471011.....	H 857
05	FILTER 2 CUPS 12 GRAMS	5471007.....	H 852
05	FILTER 2 CUPS 14 GRAMS AISI 304	5471009.....	H 859
05	FILTER 2 CUPS 24 GRAMS AISI 304	5471008.....	H 854
06	FILTER-HOLDER WITHOUT SPOUT GREY	5965535.....	H 840
07	SHAPED SPRING D1.4 AISI 302	5471507.....	H 817
08	FILTER-HOLDER D62	5286007.01CM	-
09	FILTER-HOLDER KNOB.....	7371502.....	H 839
10	SPOUT 1 WAY	7305002.....	H 829
11	SPOUT 2 WAY	7305003.....	H 815
12	ASSEMBLY COMPLETE FILTER-HOLDER 1 CUP	5965514.....	H 843
13	ASSEMBLY COMPLETE FILTER-HOLDER 2 CUPS	5965515.....	H 844
14	CLEANING BRUSH	7990603.....	-
15	PLUG	5373915.....	-

Mod. B2000DE
B2000PM
B2000MN
B2000TE
B2000TP
B2000TPNT

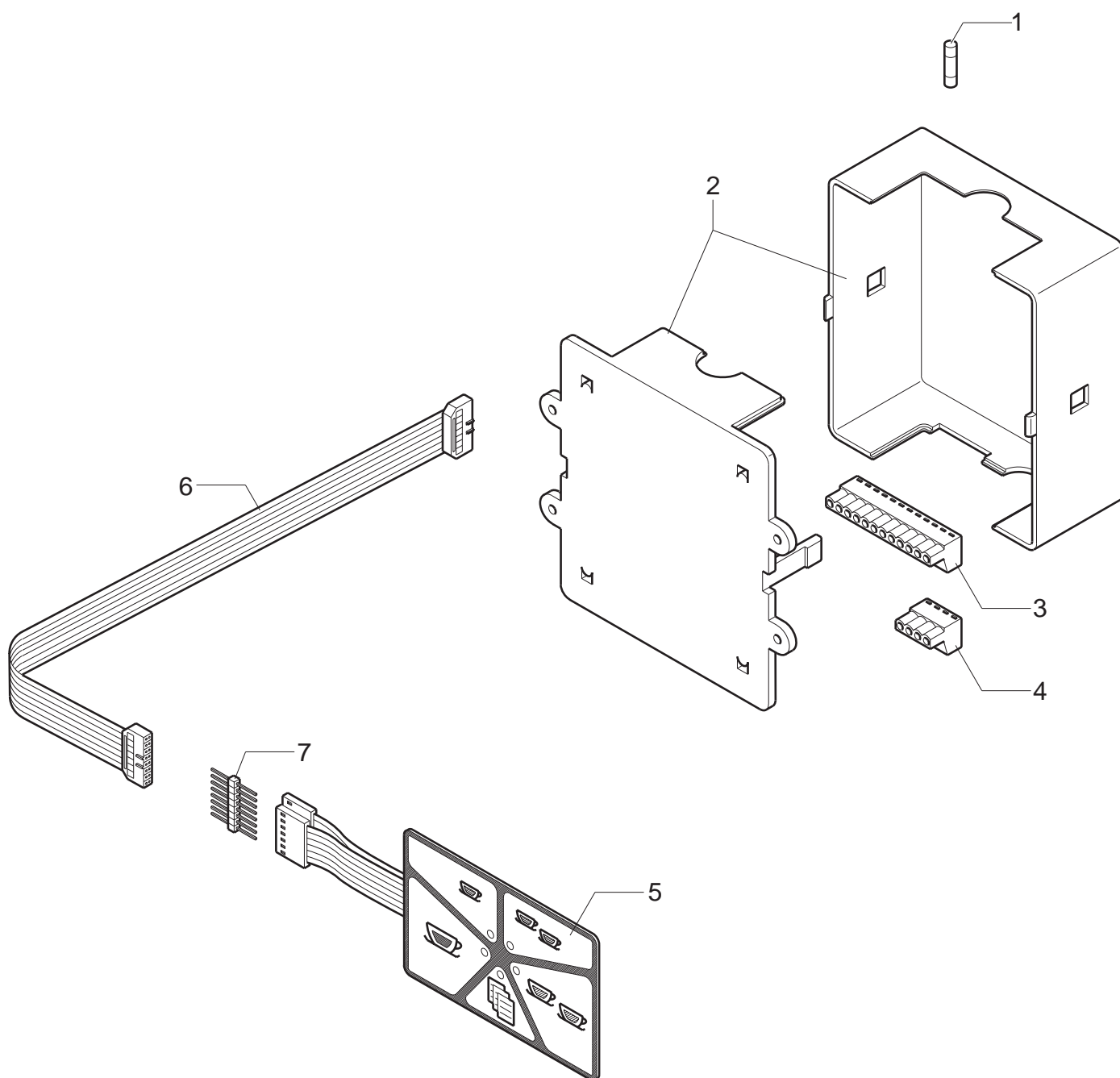
Tav. 11

BEZZERA
dal 1901



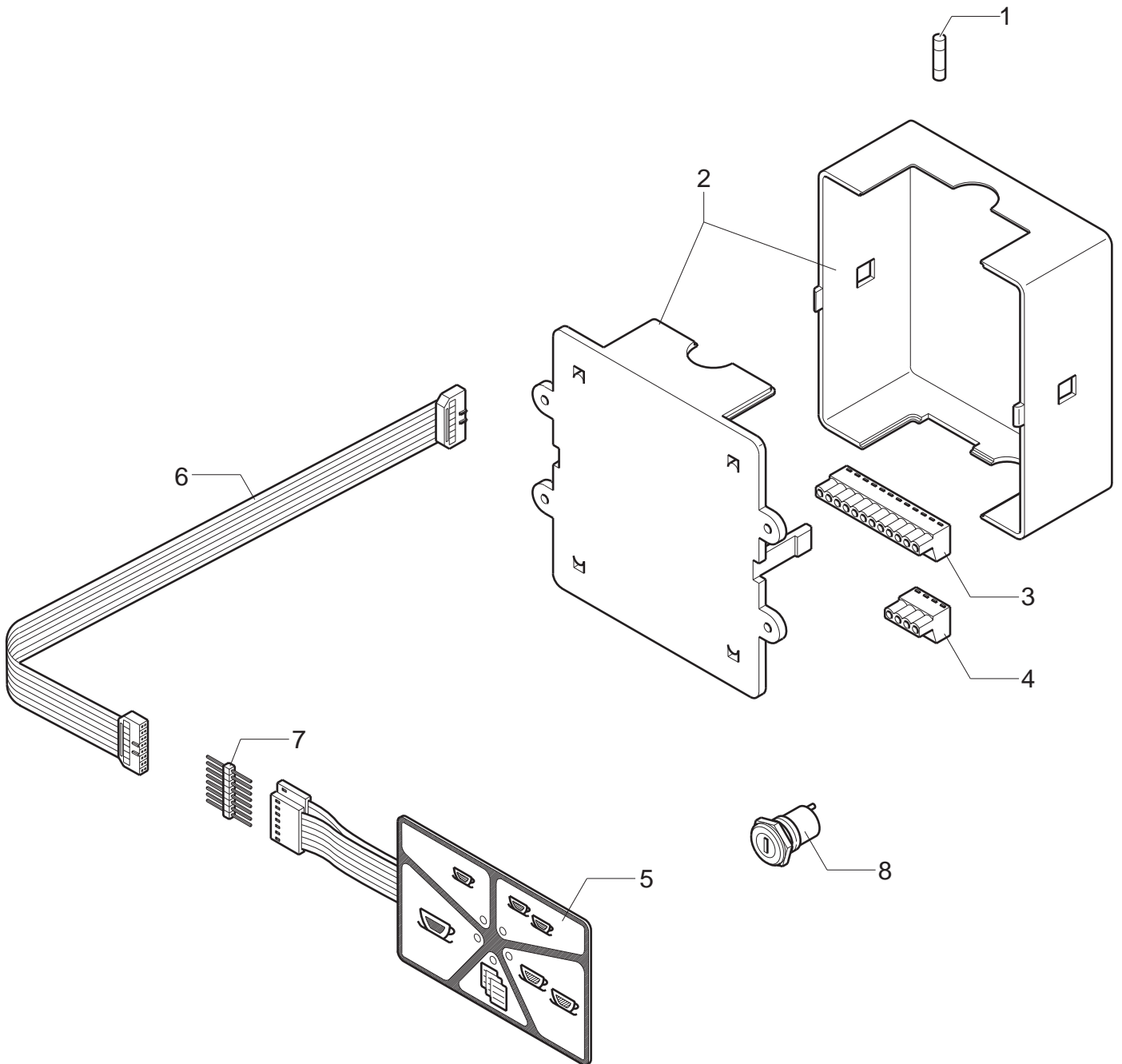


POS	DESCRIPTION	CODE	REFERENCE
01	FUSE 31,5A 220/240V	7632702	J 714/220
01	FUSE 6,3A 110/120V	7632701	J 714/110
02	TIMED DOSAGE TE 1GR 110/120V	7662554	J 701/110
02	TIMED DOSAGE TE 1GR 110/120V GM	7662554GM	-
02	TIMED DOSAGE TE 1GR 220/230V	7662557	J 701/220
02	TIMED DOSAGE TE 1GR 220/230V GM	7662557GM	-
02	TIMED DOSAGE TE 1GR 240V	7662560	J 701/240
02	TIMED DOSAGE TE 1GR 240V GM	7662560GM	-
02	TIMED DOSAGE TE 2GR 110/120V	7662555	J 702/110
02	TIMED DOSAGE TE 2GR 110/120V GM	7662555GM	-
02	TIMED DOSAGE TE 2GR 220/230V	7662558	J 702/220
02	TIMED DOSAGE TE 2GR 220/230V GM	7662558GM	-
02	TIMED DOSAGE TE 2GR 240V	7662561	J 702/240
02	TIMED DOSAGE TE 2GR 240V GM	7662561GM	-
02	TIMED DOSAGE TE 3GR 110/120V	7662556	J 703/110
02	TIMED DOSAGE TE 3GR 110/120V GM	7662556GM	-
02	TIMED DOSAGE TE 3GR 220/230V	7662559	J 703/220
02	TIMED DOSAGE TE 3GR 220/230V GM	7662559GM	-
02	TIMED DOSAGE TE 3GR 240V	7662562	J 703/240
02	TIMED DOSAGE TE 3GR 240V GM	7662562GM	-
03	ELECTRIC CONNECTOR 12 POLES	7631502	J 716
04	ELECTRIC CONNECTOR 4 POLES	7631503	J 715
05	MEMBRANE B2000/3000 TE 90X60	5660510	J 705
06	CONNECTING CABLE TE/N 1/2" GR.800MM	7663560	J 712
06	CONNECTING CABLE TE/N 3° GR.1100MM	7663562	J 713
07	STRIP-LINE 7 POLES	7636603	J 671



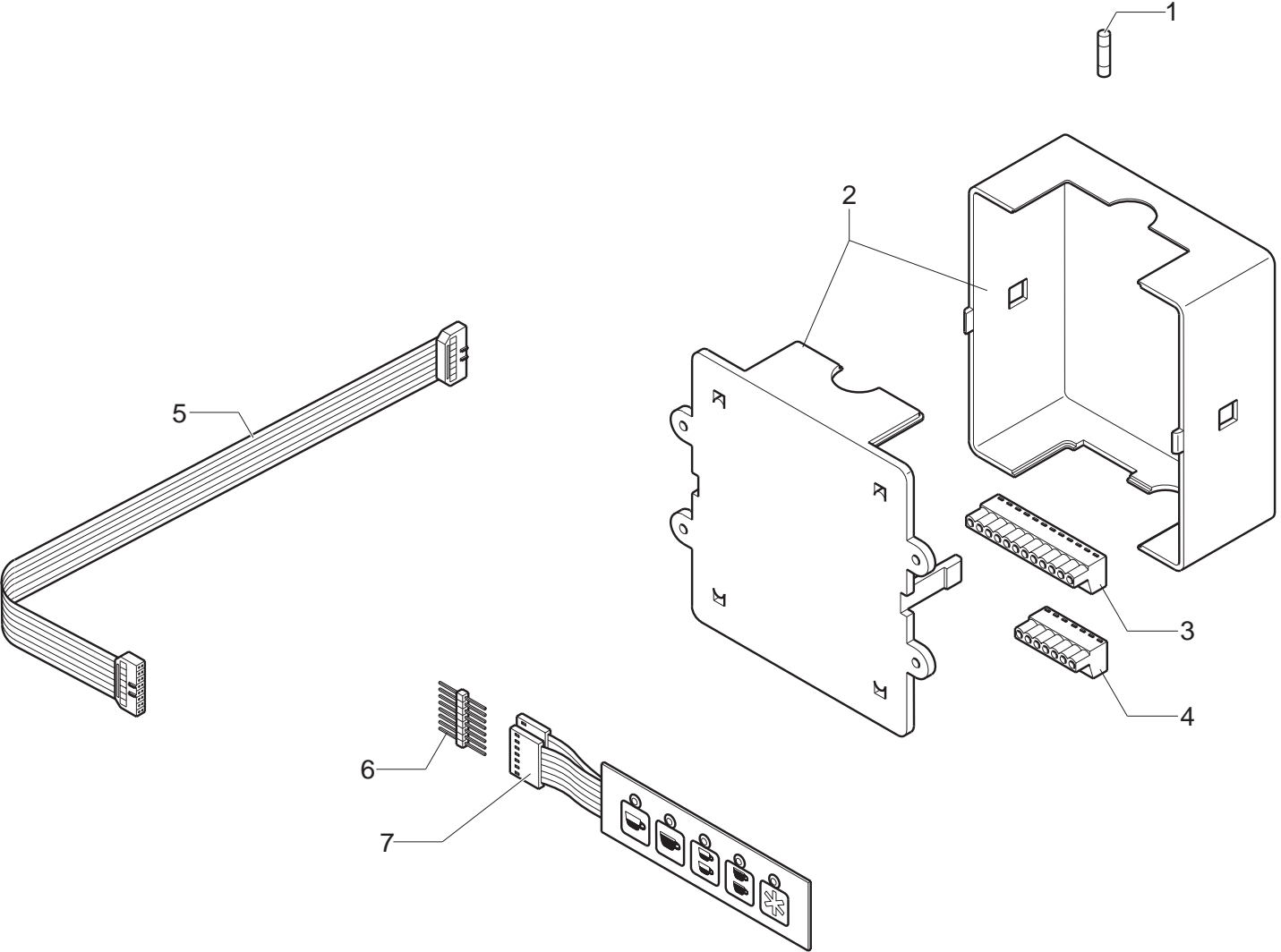


POS	DESCRIPTION	CODE	REFERENCE
01	FUSE 31,5A 220/240V	7632702.....	J 714/220
01	FUSE 6,3A 110/120V	7632701.....	J 714/110
02	TIMED DOSAGE TE 1GR + PROGRAMMING KEY V220/230.....	7662566.....	J 743/220
02	TIMED DOSAGE TE 1GR + PROGRAMMING KEY V220/230 GM.....	7662566GM.....	-
02	TIMED DOSAGE TE 2GR + PROGRAMMING KEY V220/230.....	7662567.....	J 744/220
02	TIMED DOSAGE TE 2GR + PROGRAMMING KEY V220/230 GM.....	7662567GM.....	-
02	TIMED DOSAGE TE 2GR + PROGRAMMING KEY V240.....	7662570.....	J 744/240
02	TIMED DOSAGE TE 2GR + PROGRAMMING KEY V240 GM.....	7662570GM.....	-
02	TIMED DOSAGE TE 3GR + PROGRAMMING KEY V110.....	7662565.....	J 745/110
02	TIMED DOSAGE TE 3GR + PROGRAMMING KEY V110 GM.....	7662565GM.....	-
02	TIMED DOSAGE TE 3GR + PROGRAMMING KEY V220/230.....	7662568.....	J 745/220
02	TIMED DOSAGE TE 3GR + PROGRAMMING KEY V220/230 GM.....	7662568GM.....	-
02	TIMED DOSAGE TE 3GR + PROGRAMMING KEY V240.....	7662571.....	J 745/240
02	TIMED DOSAGE TE 3GR + PROGRAMMING KEY V240 GM.....	7662571GM.....	-
02	TIMED DOSAGE TE 1GR + PROGRAMMING KEY V110.....	7662563.....	J 743/110
02	TIMED DOSAGE TE 1GR + PROGRAMMING KEY V110 GM.....	7662563GM.....	-
02	TIMED DOSAGE TE 1GR + PROGRAMMING KEY V240.....	7662569.....	J 743/240
02	TIMED DOSAGE TE 1GR + PROGRAMMING KEY V240 GM.....	7662569GM.....	-
02	TIMED DOSAGE TE 2GR + PROGRAMMING KEY V110.....	7662564.....	J 744/110
02	TIMED DOSAGE TE 2GR + PROGRAMMING KEY V110 GM.....	7662564GM.....	-
03	ELECTRIC CONNECTOR 12 POLES	7631502.....	J 716
04	ELECTRIC CONNECTOR 4 POLES	7631503.....	J 715
05	MEMBRANE B2000/3000 TE 90X60	5660510.....	J 705
06	CONNECTING CABLE TE/N 1/2" GR.800MM.....	7663560.....	J 712
06	CONNECTING CABLE TE/N 3° GR.1100MM	7663562.....	J 713
07	STRIP-LINE 7 POLES	7636603.....	J 671
08	UNIVERSAL PROGRAMMING KEY	7661503.....	J 711U



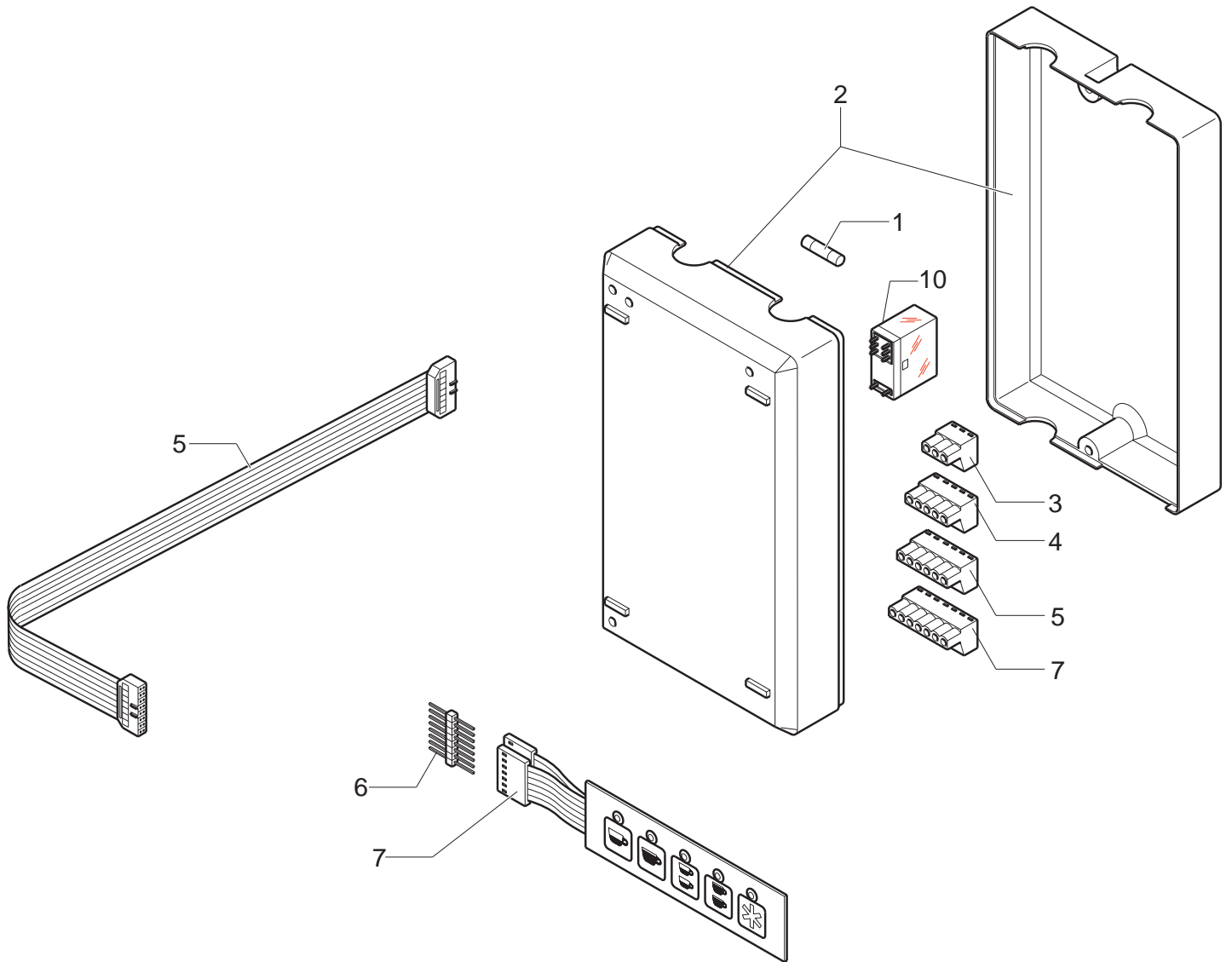


POS	DESCRIPTION	CODE	REFERENCE
01	FUSE 31,5A 220/240V	7632702	J 714/220
01	FUSE 6,3A 110/120V	7632701	J 714/110
02	ELECTRONIC DOSAGE DE 1GR 110/120V (FROM 01/11/99)	7662501	X/41 2471/110
02	ELECTRONIC DOSAGE DE 1GR 110/120V GM (FROM 01/11/99)	7662501GM	-
02	ELECTRONIC DOSAGE DE 1GR 220/230V (FROM 01/11/99)	7662502	X/41 2471/220
02	ELECTRONIC DOSAGE DE 1GR 220/230V GM (FROM 01/11/99)	7662502GM	-
02	ELECTRONIC DOSAGE DE 1GR 240V (FROM 01/11/99)	7662503	X/41 2471/240
02	ELECTRONIC DOSAGE DE 1GR 240V GM (FROM 01/11/99)	7662503GM	-
02	ELECTRONIC DOSAGE DE 2GR 110/120V (FROM 01/11/99) + 4GR	7662504	X/41 2472/110
02	ELECTRONIC DOSAGE DE 2GR 110/120V GM (FROM 01/11/99) + 4GR	7662504GM	-
02	ELECTRONIC DOSAGE DE 2GR 220/230V (FROM 01/11/99) + 4GR	7662505	X/41 2472/220
02	ELECTRONIC DOSAGE DE 2GR 220/230V GM (FROM 01/11/99) + 4GR	7662505GM	-
02	ELECTRONIC DOSAGE DE 2GR 240V (FROM 01/11/99) + 4GR	7662506	X/41 2472/240
02	ELECTRONIC DOSAGE DE 2GR 240V GM (FROM 01/11/99) + 4GR	7662506GM	-
02	ELECTRONIC DOSAGE DE 3GR 110/120V (FROM 01/11/99)	7662507	X/41 2473/110
02	ELECTRONIC DOSAGE DE 3GR 110/120V GM (FROM 01/11/99)	7662507GM	-
02	ELECTRONIC DOSAGE DE 3GR 220/230V (FROM 01/11/99)	7662508	X/41 2473/220
02	ELECTRONIC DOSAGE DE 3GR 220/230V GM (FROM 01/11/99)	7662508GM	-
02	ELECTRONIC DOSAGE DE 2GR 240V (FROM 01/11/99)	7662509	X/41 2473/240
02	ELECTRONIC DOSAGE DE 2GR 240V GM (FROM 01/11/99)	7662509GM	-
02	ELECTRONIC DOSAGE DE 2GR FOAMER 110/120V	7662653	-
02	ELECTRONIC DOSAGE DE 2GR 110/120V FOAMER GM	7662653GM	-
02	ELECTRONIC DOSAGE DE 2GR FOAMER 220/230V	7662654	-
02	ELECTRONIC DOSAGE DE 2GR FOAMER 220/230V GM	7662654GM	-
02	ELECTRONIC DOSAGE DE 2GR FOAMER 240V	7662655	-
02	ELECTRONIC DOSAGE DE 2GR FOAMER 240V GM	7662655GM	-
03	ELECTRIC CONNECTOR 12 POLES	7631502	J 716
04	ELECTRIC CONNECTOR 7 POLES	7631501	J 866
05	CONNECTING CABLE 8 POLES 1/2" GR. 800MM	7663552	X/41 2474
05	CONNECTING CABLE 8 POLES 3/4" GR. 1100MM	7663553	X/41 2475
06	STRIP-LINE 7 POLES	7636603	J 671
07	DIAPHRAGM DE/MPN 118X34	5660508	J 645



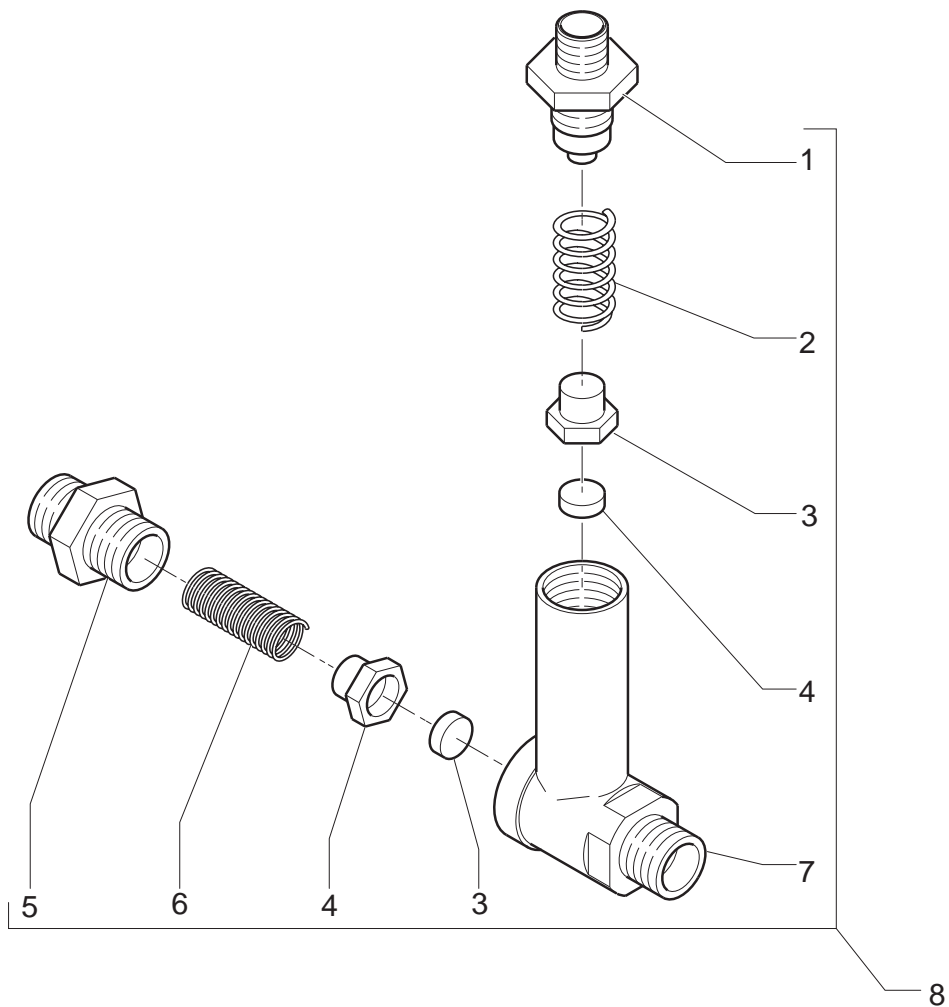


POS	DESCRIPTION	CODE	REFERENCE
01	FUSE 31,5A 220/240V	7632702.....	J 714/220
01	FUSE 6,3A 110/120V	7632701.....	J 714/110
02	ELECTRONIC DOSAGE B3000 DE/MPN 1GR 220/230V (UP TO 30/10/99).....	7662575.....	X/35 2445/220
02	ELECTRONIC DOSAGE B3000 DE/MPN 2GR 110/120V (UP TO 30/10/99).....	7662573.....	X/35 2446/110
02	ELECTRONIC DOSAGE B3000 DE/MPN 2GR 220/230V (UP TO 30/10/99).....	7662576.....	X/35 2446/220
02	ELECTRONIC DOSAGE B3000 DE/MPN 3GR 110/120V (UP TO 30/10/99).....	7662574.....	X/35 2447/110
02	ELECTRONIC DOSAGE B3000 DE/MPN 1GR 110/120V (UP TO 30/10/99).....	7662572.....	X/35 2445/110
02	ELECTRONIC DOSAGE B3000 DE/MPN 1GR 240V (UP TO 30/10/99).....	7662578.....	X/35 2445/240
02	ELECTRONIC DOSAGE B3000 DE/MPN 2GR 240V (UP TO 30/10/99).....	7662553.....	X/35 2446/240
02	ELECTRONIC DOSAGE B3000 DE/MPN 3GR 220/230V (UP TO 30/10/99).....	7662577.....	X/35 2447/220
02	ELECTRONIC DOSAGE B3000 DE/MPN 3GR 240V (UP TO 30/10/99).....	7662579.....	X/35 2447/240
03	FEMALE CONNECTOR 3 POLES	7631514.....	X/35 2452
04	FEMALE CONNECTOR 5 POLES	7631515.....	X/35 2453
05	FEMALE CONNECTOR 6 POLES	7631516.....	X/35 2454
06	CONNECTING CABLE DIAPHRAGM / CONTROL BOX.....	7663506.....	X/35 2449
07	FEMALE CONNECTOR 7 POLES	7631517.....	X/35 2455
08	DIAPHRAGM DE/MPN 118X34	5660508.....	J 645
09	STRIP-LINE 7 POLES	7636603.....	J 671
10	RELAY 12V DC	7635416.....	X/35 2451





POS	DESCRIPTION	CODE	REFERENCE
01	STRAIGHT FITTING M12 X 3/8"G ES.22 H34 OT.....	5225267.....	P 1321
02	SURPRESSION VALVE SPRING D13.5 AISI 302.....	5471520.....	P 1317
03	GASKET-HOLDER D14.5 X 12 OT.....	5224604.....	P 1313
04	GASKET D12 X 5 NBR 70SH.....	5493011.....	P 1312
05	STRAIGHT FITTING 3/8"G OT.....	5302037.....	P 1315
06	CHECK VALVE SPRING AISI 302.....	5471518.....	P 1314
07	SURPRESSION VALVE BODY.....	5283024.....	P 1311
08	COMPLETE SURPRESSION VALVE.....	7452505.....	P 1330



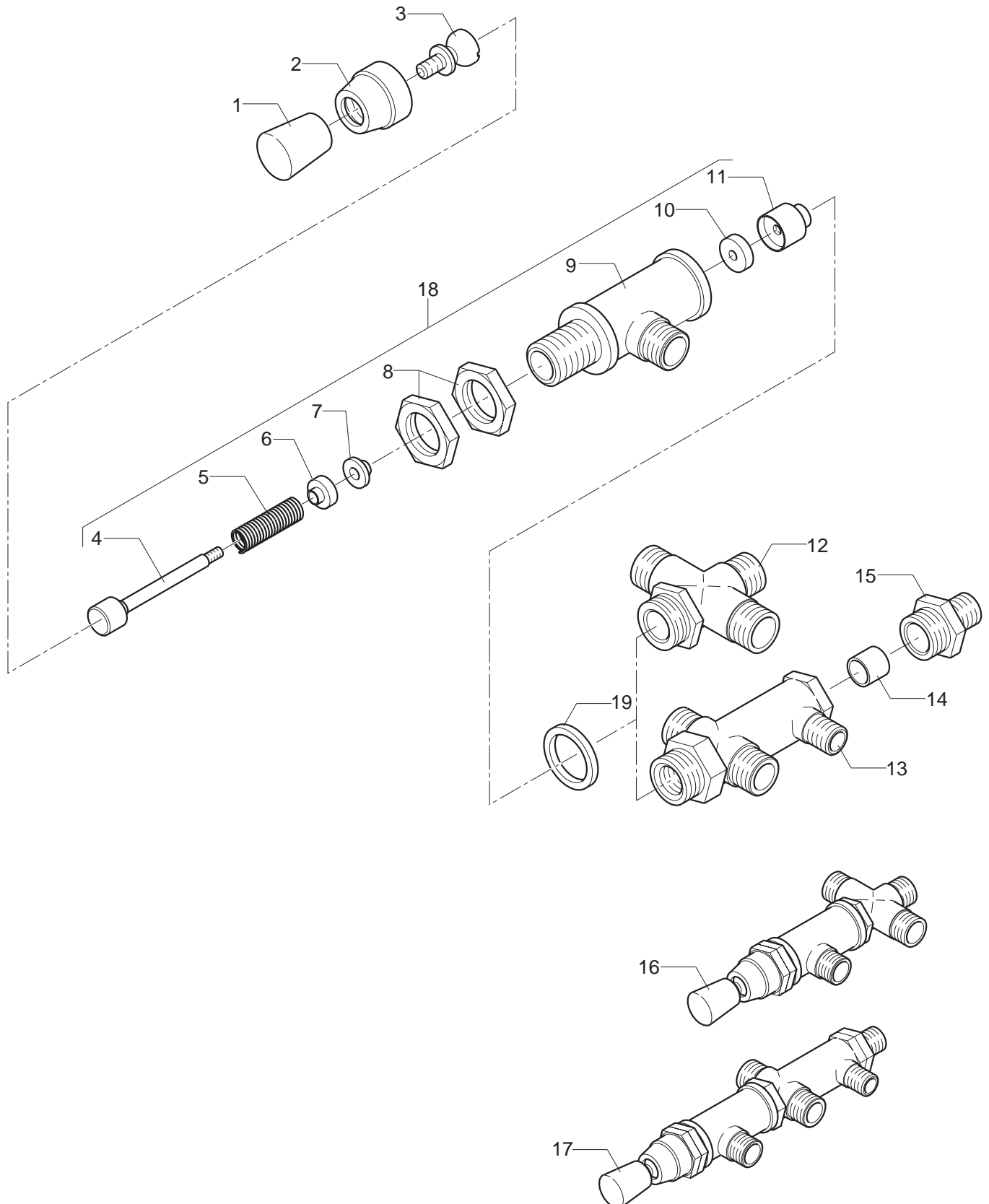


POS	DESCRIPTION	CODE	REFERENCE
01	KNOB M6	7473603.....	-
02	RING NUT M18 OT CHROMED.....	5222813CM.....	L 1128
03	ARTICULATION D14 X 24.5 X M6 AISI 303	5265601.....	L 1127
04	SHAFT D12 X 65 AISI 303.....	5260202.....	L 1125
05	SPRING D9.5 H34.5 AISI 302	5471512.....	L 1123
06	BUSHING D12 X 7 OT	5220603.....	L 1122
07	GASKET D12 X 6 PTFE GRAPHITIZED	5494004.....	L 1121
08	NUT M18 ES.26 H5 OT.....	5221833.....	L 1119
09	PUMP BODY OT	5283019.....	L 1118
10	GASKET D14 X 4 X 4 NBR 70SH.....	5493013.....	L 1117
11	GASKET-HOLDER D15 X 16.5 OT	5224607.....	L 1116
12	FITTING 4 WAY 3/8"G OT (PM-TE-TP).....	5302502.....	L 1114C
13	MULTIPLE FITTING 5 WAY OT (DE)	5302501.....	L 1135
14	FILTER D13.5 H11 AISI 304	5471002.....	A 113
15	FITTING M13 X 3/8".....	5226401.....	A/B 161
16	ASSEMBLY PUMP 3 WAY COMPLETE.....	5964054.....	L 1130C
17	ASSEMBLY PUMP COMPLETE WITH MULTIPLE FITTING	5964060.....	-
18	ASSEMBLY PUMP	5964058.....	L 1130
19	COPPER GASKET 20 X 26 X 3.....	5495006.....	-

Mod. B2000DE
B2000PM
B2000MN
B2000TE
B2000TP
B2000TPNT

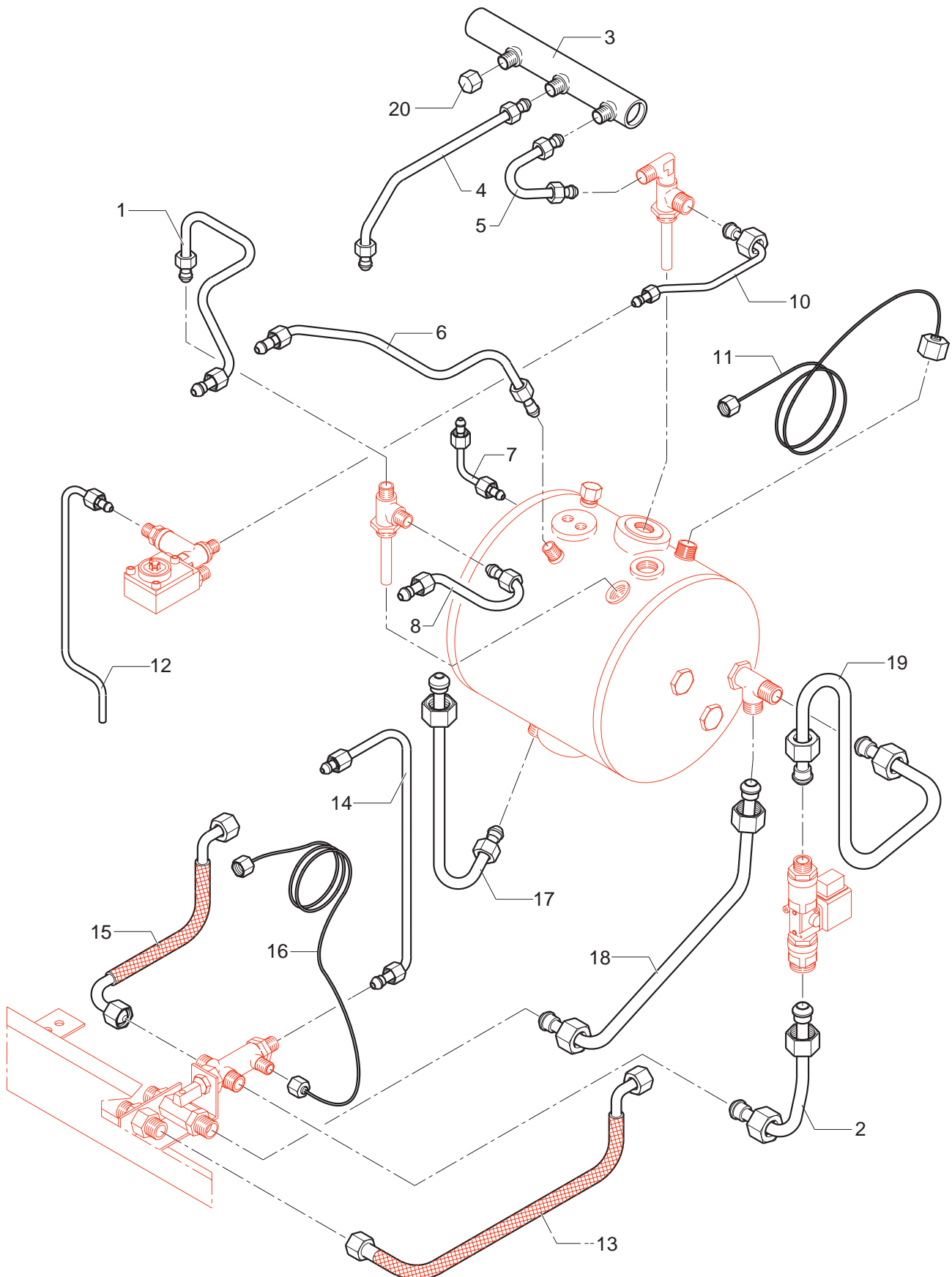
Tav. 17

BEZZERA
dal 1901



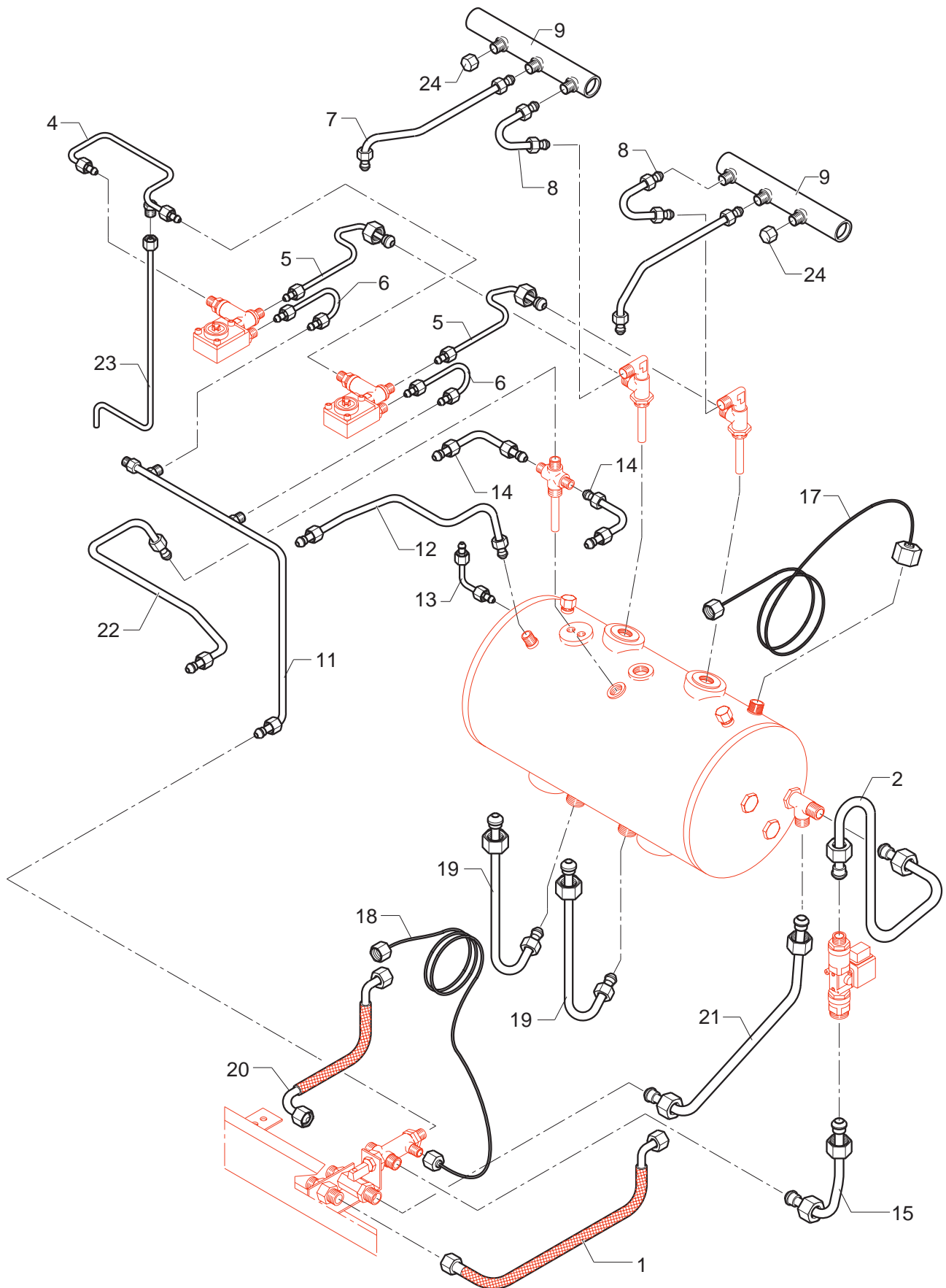


POS	DESCRIPTION	CODE	REFERENCE
01	WATER TAP HOSE	5163019LL.....	06.16.00.553
02	INLET AUTOMATIC LEVEL HOSE	5164007LL.....	06.16.00.105
03	EXTERNAL HEAT EXCHANGER POLISHED	5329008BL	X/16 2322
04	EXTERNAL HEAT EXCHANGER GROUP HOSE	5163020LL.....	06.16.00.136
05	EXTERNAL/INTERNAL EXCHANGER HOSE	5163022LL.....	06.16.00.162
06	STEAM TAP HOSE	5163064LL.....	06.16.00.270
07	PRESSOSTAT HOSE	5162058LL.....	06.16.00.024
08	HEATING HOSE.....	5163024LL.....	06.16.00.252
10	EXCHANGER -DOSER HOSE	5162217LL.....	-
11	STEAM PRESSURE GAUGE CAPILLARY.....	7400901LA	-
12	DOSER DRAIN HOSE	5162135LL.....	06.16.00.809
13	FLEXIBLE HOSE L=350	7200505.....	F 1170
14	MANIFOLD HOSE	5162062LL.....	06.16.00.808
15	FLEXIBLE HOSE L=255	7200506.....	F 1171
16	PRESSURE GAUGE CAPILLARY	7400901	-
17	CIRCULATION HOSE	5164004LL.....	06.16.00.104
18	BOILER DRAIN HOSE.....	5164011LL.....	06.16.00.167
19	OUTLET HOSE L/A	5164006LL.....	06.16.00.194
20	CAP NUT M13 X 1	5221840.....	F 639/B



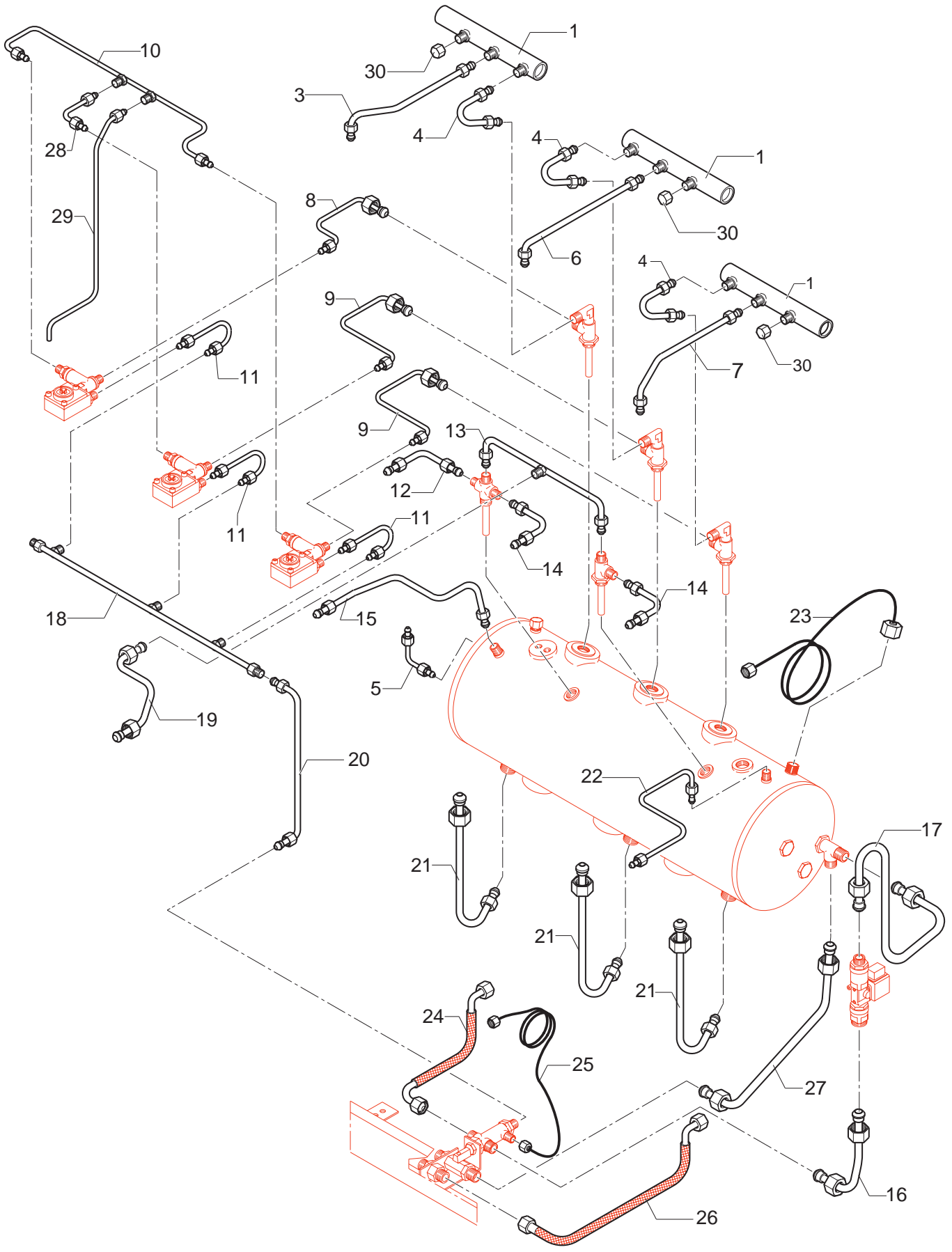


POS	DESCRIPTION	CODE	REFERENCE
01	FLEXIBLE HOSE L=350	7200505.....	F 1170
02	OUTLET HOSE L/A	5164006LL.....	06.16.00.194
04	BY-PASS HOSE FOR DRAIN DOSER.....	5162137LL.....	06.16.00.202
05	EXCHANGER -DOSER HOSE	5162063LL.....	06.16.00.164
06	COMPLETE HOSE FOR MANIFOLD COUNTER (1-2-3-4GR).....	5162006LL.....	-
07	EXTERNAL HEAT EXCHANGER GROUP HOSE	5163030LL.....	06.16.00.148
08	EXTERNAL/INTERNAL EXCHANGER HOSE	5163022LL.....	06.16.00.162
09	EXTERNAL HEAT EXCHANGER POLISHED	5329008BL	X/16 2322
10	EXTERNAL HEAT EXCHANGER GROUP HOSE	5163020LL.....	06.16.00.136
11	MANIFOLD HOSE	5163031LL.....	06.16.00.114
12	STEAM TAP HOSE	5163064LL.....	06.16.00.270
13	PRESSOSTAT HOSE.....	5162058LL.....	06.16.00.024
14	HEATING HOSE.....	5163027LL.....	06.16.00.185
15	INLET AUTOMATIC LEVEL HOSE	5164007LL.....	06.16.00.105
17	STEAM PRESSURE GAUGE CAPILLARY.....	7400901LA	-
18	PRESSURE GAUGE CAPILLARY	7400901	-
19	CIRCULATION HOSE	5164004LL.....	06.16.00.104
20	FLEXIBLE HOSE L=255	7200506.....	F 1171
21	BOILER DRAIN HOSE.....	5164011LL.....	06.16.00.167
22	WATER TAP HOSE	5163086LL.....	06.16.00.279
23	DOSER DRAIN HOSE	5162136LL.....	06.16.00.190
24	CAP NUT M13 X 1	5221840.....	F 639/B





POS	DESCRIPTION	CODE	REFERENCE
01	EXTERNAL HEAT EXCHANGER POLISHED	5329008BL	X/16 2322
03	EXTERNAL HEAT EXCHANGER GROUP HOSE	5163030LL	06.16.00.148
04	EXTERNAL/INTERNAL EXCHANGER HOSE	5163022LL	06.16.00.162
05	PRESSOSTAT HOSE	5162058LL	06.16.00.024
06	CENTRAL HEAT EXCHANGER HOSE	5163033LL	06.16.00.649
07	EXTERNAL HEAT EXCHANGER GROUP HOSE	5163020LL	06.16.00.136
08	LEFT EXCHANGER DOSER HOSE	5162067LL	06.16.00.158
09	EXCHANGER -CENTRAL AND RIGHT DOSER HOSE	5162068LL	06.16.00.178
10	BY-PASS HOSE FOR DRAIN DOSER	5162138LL	06.16.00.203
11	COMPLETE HOSE FOR MANIFOLD COUNTER (1-2-3-4GR)	5162006LL	-
12	HEATING HOSE	5163027LL	06.16.00.185
13	BY-PASS HOSE	5163034LL	06.16.00.200
14	RIGHT HEATING HOSE	5163035LL	06.16.00.249
15	STEAM TAP HOSE	5163023LL	06.16.00.270
16	INLET AUTOMATIC LEVEL HOSE	5164007LL	06.16.00.105
17	OUTLET HOSE L/A	5164006LL	06.16.00.194
18	MANIFOLD HOSE	5163036LL	06.16.00.103
19	WATER TAP HOSE	5163037LL	06.16.00.285
20	PRE-MANIFOLD HOSE	5163038LL	06.16.00.023
21	CIRCULATION HOSE	5164004LL	06.16.00.104
22	RIGHT STEAM TAP HOSE	5163090LL	06.16.00.260
23	STEAM PRESSURE GAUGE CAPILLARY	7400901LA	-
24	FLEXIBLE HOSE L=255	7200506	F 1171
25	PRESSURE GAUGE CAPILLARY	7400901	-
26	FLEXIBLE HOSE L=350	7200505	F 1170
27	BOILER DRAIN HOSE	5164011LL	06.16.00.167
28	2ND DOSER DRAIN HOSE	5162139LL	06.16.00.648
29	DOSER DRAIN HOSE	5162140LL	06.16.00.180
30	CAP NUT M13 X 1	5221840	F 639/B

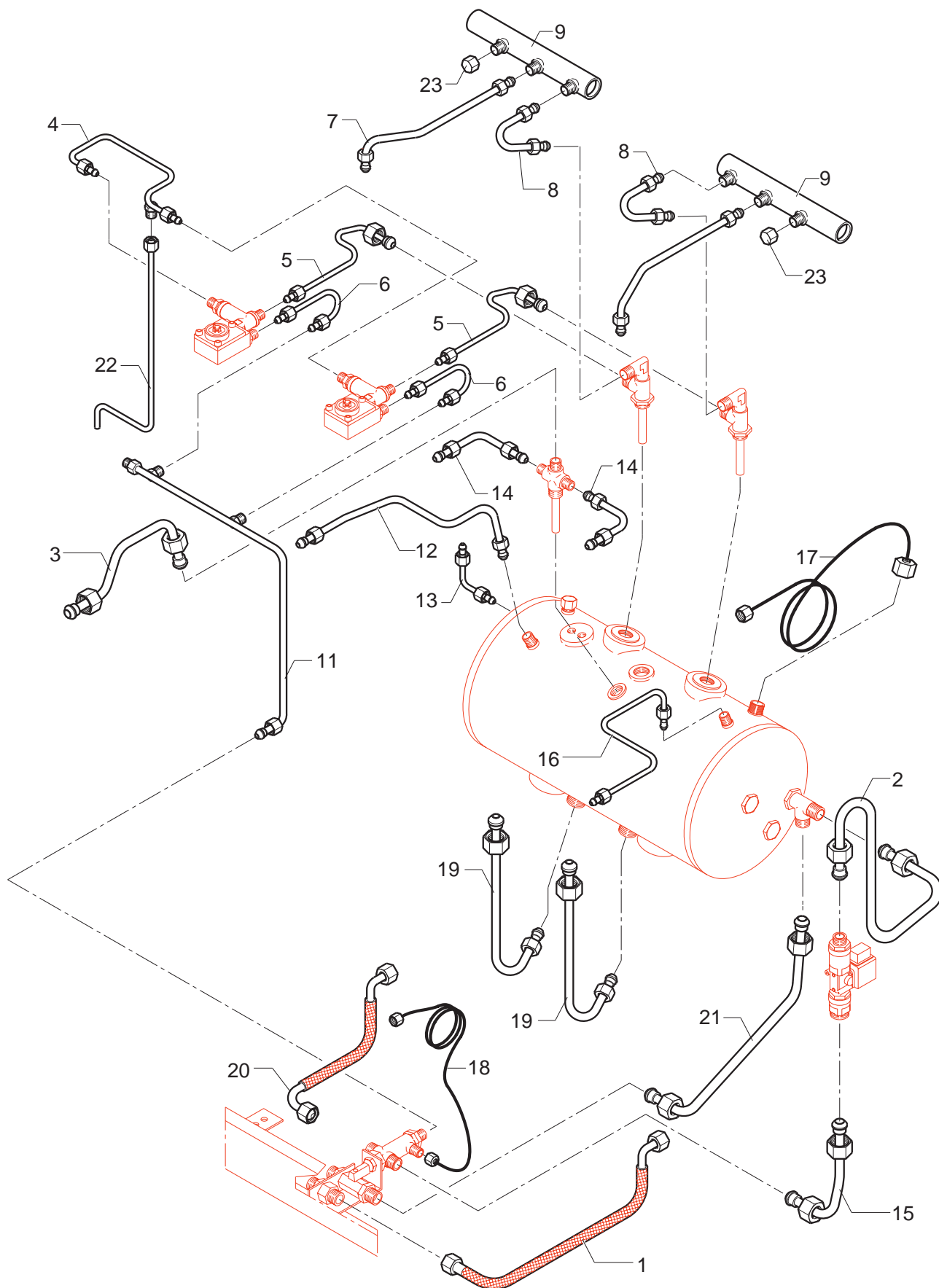




BEZZERA
dal 1901

2 Gr. hose series - 3° drink

POS	DESCRIPTION	CODE	REFERENCE
01	FLEXIBLE HOSE L=350	7200505.....	F 1170
02	OUTLET HOSE L/A	5164006LL.....	06.16.00.194
03	CENTRAL WATER TAP HOSE.....	5163104LL.....	06.16.00.274
04	BY-PASS HOSE FOR DRAIN DOSER.....	5162137LL.....	06.16.00.202
05	EXCHANGER -DOSER HOSE	5162063LL.....	06.16.00.164
06	COMPLETE HOSE FOR MANIFOLD COUNTER (1-2-3-4GR).....	5162006LL.....	-
07	EXTERNAL HEAT EXCHANGER GROUP HOSE	5163030LL.....	06.16.00.148
08	EXTERNAL/INTERNAL EXCHANGER HOSE	5163022LL.....	06.16.00.162
09	EXTERNAL HEAT EXCHANGER POLISHED	5329008BL	X/16 2322
10	EXTERNAL HEAT EXCHANGER GROUP HOSE	5163020LL.....	06.16.00.136
11	MANIFOLD HOSE	5163031LL.....	06.16.00.114
12	STEAM TAP HOSE	5163064LL.....	06.16.00.270
13	PRESSOSTAT HOSE.....	5162058LL.....	06.16.00.024
14	HEATING HOSE.....	5163027LL.....	06.16.00.185
15	INLET AUTOMATIC LEVEL HOSE	5164007LL.....	06.16.00.105
16	RIGHT STEAM TAP HOSE	5163090LL.....	06.16.00.255
17	STEAM PRESSURE GAUGE CAPILLARY.....	7400901LA	-
18	PRESSURE GAUGE CAPILLARY	7400901	-
19	CIRCULATION HOSE	5164004LL.....	06.16.00.104
20	FLEXIBLE HOSE L=255	7200506.....	F 1171
21	BOILER DRAIN HOSE.....	5164011LL.....	06.16.00.167
22	DOSER DRAIN HOSE	5162136LL.....	06.16.00.190
23	CAP NUT M13 X 1	5221840.....	F 639/B

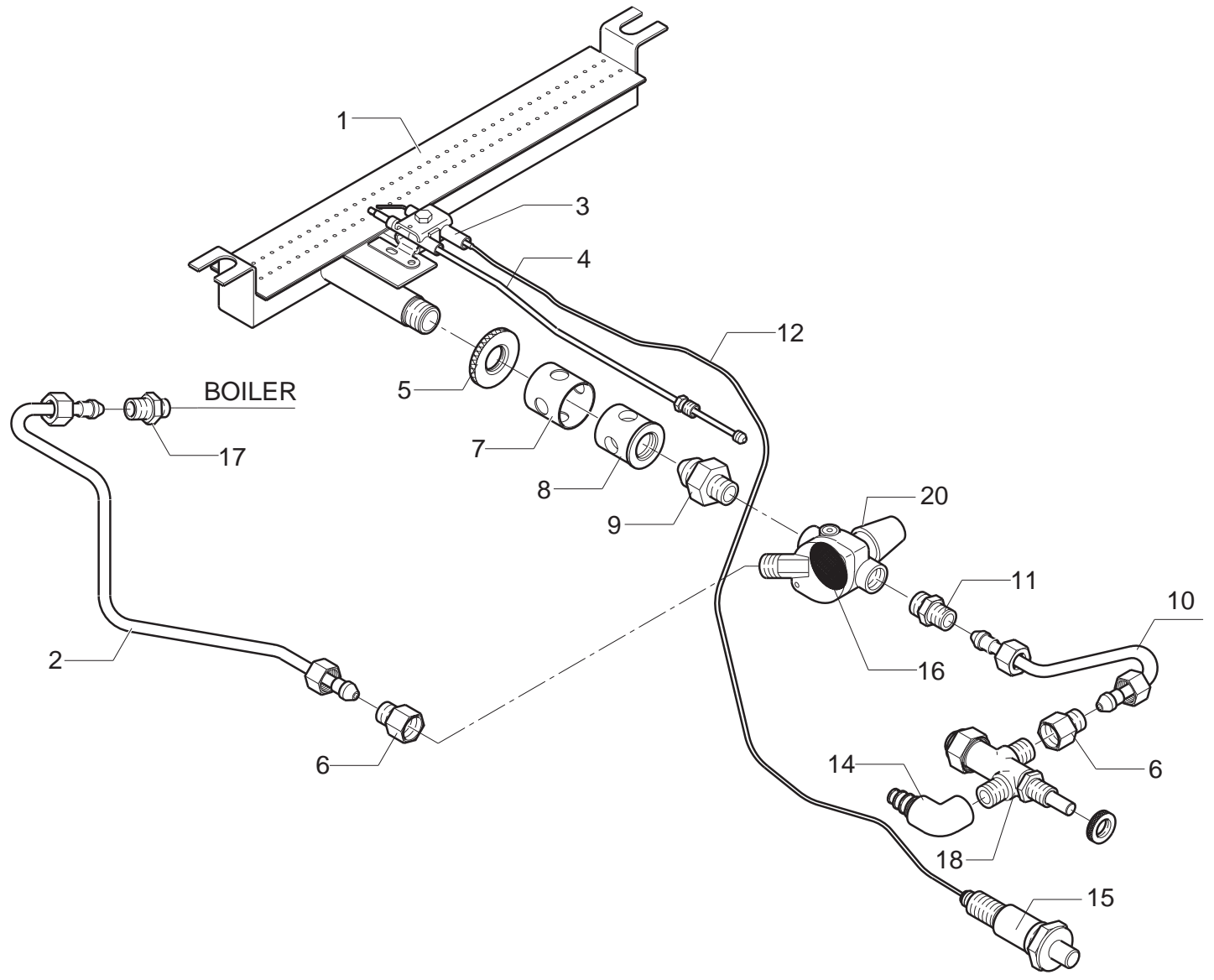




POS	DESCRIPTION	CODE	REFERENCE
01	ASSEMBLY BURNER 1GR LEVER	5345559.....	T 1460E
01	ASSEMBLY BURNER 2GR LEVER	5345558.....	T 1461E
01	ASSEMBLY BURNER 3GR DELIVERY	5345555.....	-
01	ASSEMBLY BURNER 4GR DELIVERY	5345557.....	-
02	COMPLETE BOILER-REGULATOR HOSE 1GR.....	5162114LL.....	06.16.00.008
02	COMPLETE BOILER-REGULATOR HOSE 2GR.....	5162115LL.....	06.16.00.574
02	COMPLETE BOILER-REGULATOR HOSE 3-4GR	5162116LL.....	06.16.00.591
03	CANDLE.....	7400301.....	T/6 1511
04	THERMOCOUPLE.....	7403001.....	T/6 1517
05	RING NUT 3/8"G H4 OT	5222808.....	T 1459
06	REDUCTION GEAR 1/4"G X M12 ES.16 H22 OT	5302029.....	F 766
07	EXTERNAL INTAKE AIR PASSAGE D28 X 25.5	5220602.....	T 1458
08	INTERNAL INTAKE AIR PASSAGE D26 X 27 OT	5220601.....	T 1457
09	JET 1/4"G H32 OT	5223009.....	T 1465
10	REGULATOR-COMPLETE JET HOSE 1GR	5162117LL.....	06.16.00.000
10	REGULATOR-COMPLETE JET HOSE 2GR	5162118LL.....	06.16.00.573
10	REGULATOR-COMPLETE JET HOSE 3-4GR	5162119LL.....	06.16.00.592
11	STRAIGHT FITTING M12 X 1/4"G H24 OT	5302009.....	F 1031
12	ELECTRIC CABLE.....	7401205.....	T/6 1512
14	RUBBER-HOLDER 1/4" D12 OT.....	5224405.....	T 1475
15	PIEZO IGNITION WITH NUT	7400302.....	T/6 1513
16	REGULATOR MEMBRANE.....	7493007.....	T 1466
17	STRAIGHT FITTING M12 X M10 OT.....	5302010.....	F 683
18	VALVE M1 WITH RING NUT	5965085.....	-
20	GAS RG10 REGULATOR	7402410.....	T 1454

Mod. B2000DE
B2000PM
B2000MN
B2000TE
B2000TP
B2000TPNT

Tav. GAS RG10



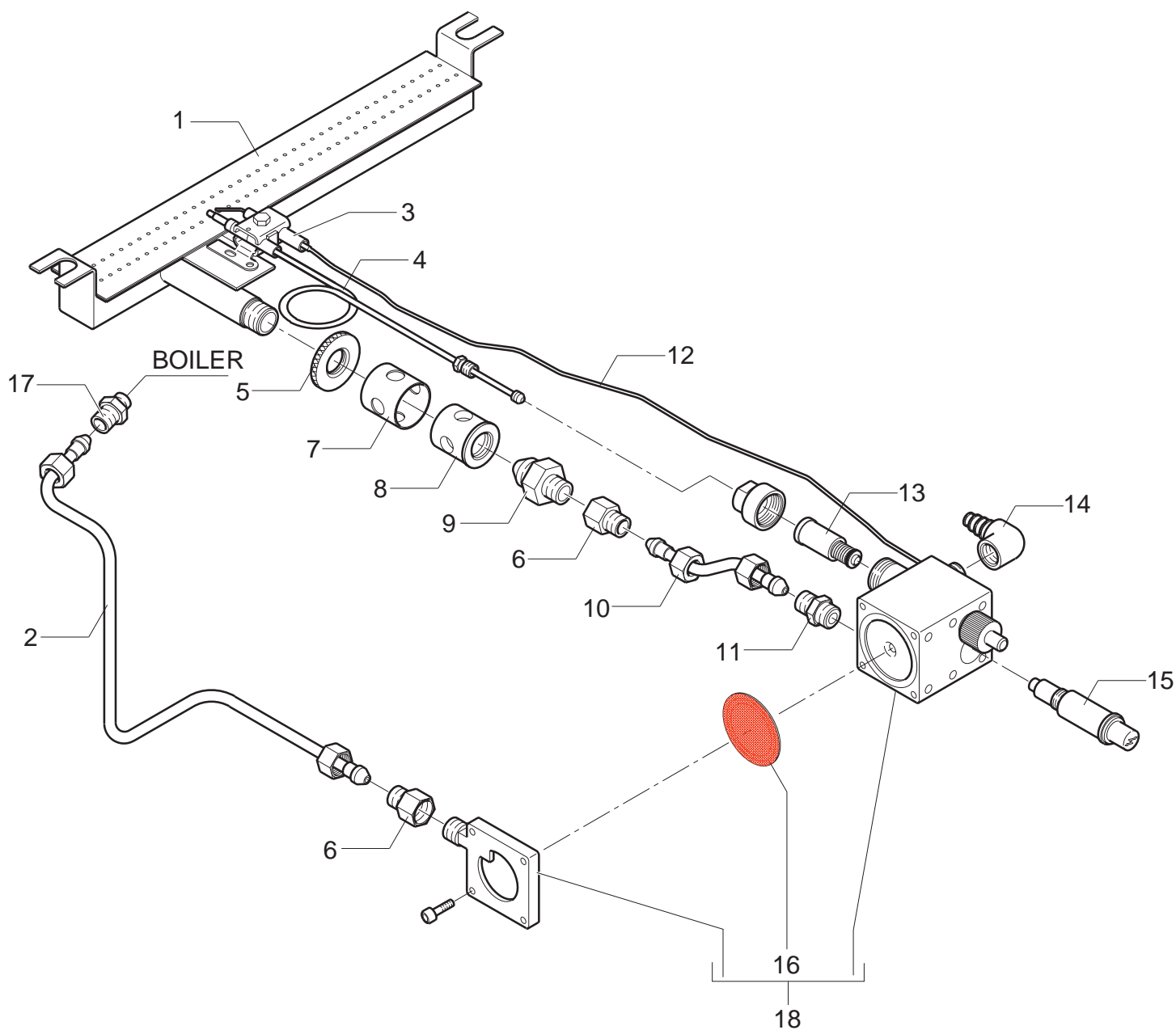


POS	DESCRIPTION	CODE	REFERENCE
01	ASSEMBLY BURNER 1GR LEVER	5345559.....	T 1460E
01	ASSEMBLY BURNER 2GR LEVER	5345558.....	T 1461E
01	ASSEMBLY BURNER 3GR DELIVERY	5345555.....	-
01	ASSEMBLY BURNER 4GR DELIVERY	5345557.....	-
02	COMPLETE BOILER-REGULATOR HOSE 1GR.....	5162094LL.....	06.16.00.006
02	COMPLETE BOILER-REGULATOR HOSE 2-3-4GR	5162095LL.....	06.16.00.010
03	CANDLE.....	7400304.....	T/5 1472
04	THERMOCOUPLE	7403002.....	T/5 1474
05	RING NUT 3/8"G H4 OT	5222808.....	T 1459
06	REDUCTION GEAR 1/4"G X M12 ES.16 H22 OT	5302029.....	F 766
07	EXTERNAL INTAKE AIR PASSAGE D28 X 25.5	5220602.....	T 1458
08	INTERNAL INTAKE AIR PASSAGE D26 X 27 OT	5220601.....	T 1457
09	JET 1/4"G H32 OT	5223009.....	T 1465
10	REGULATOR-COMPLETE JET HOSE 1GR	5162096LL.....	06.16.00.005
10	REGULATOR-COMPLETE JET HOSE 2-4GR	5162097LL.....	06.16.00.009
10	REGULATOR-COMPLETE JET HOSE 3GR	5162098LL.....	06.16.00.004
11	STRAIGHT FITTING M12 X 1/4"G H24 OT	5302009.....	F 1031
12	ELECTRIC CABLE	7401206.....	T/5 1473
13	MAGNETIC GROUP	7401207.....	T/5 1479
14	RUBBER-HOLDER 1/4" D12 OT.....	5224405.....	T 1475
15	PIEZO IGNITION.....	7400303.....	T/5 1477
16	REGULATOR MEMBRANE.....	7493006.....	T/5 1478
17	STRAIGHT FITTING M12 X M10 OT	5302010.....	F 683
18	GAS REGULATOR.....	7402406.....	-

Mod. B2000DE
B2000PM
B2000MN
B2000TE
B2000TP
B2000TPNT

Tav. GAS RG20

BEZZERA
dal 1901





BEZZERA
dal 1901

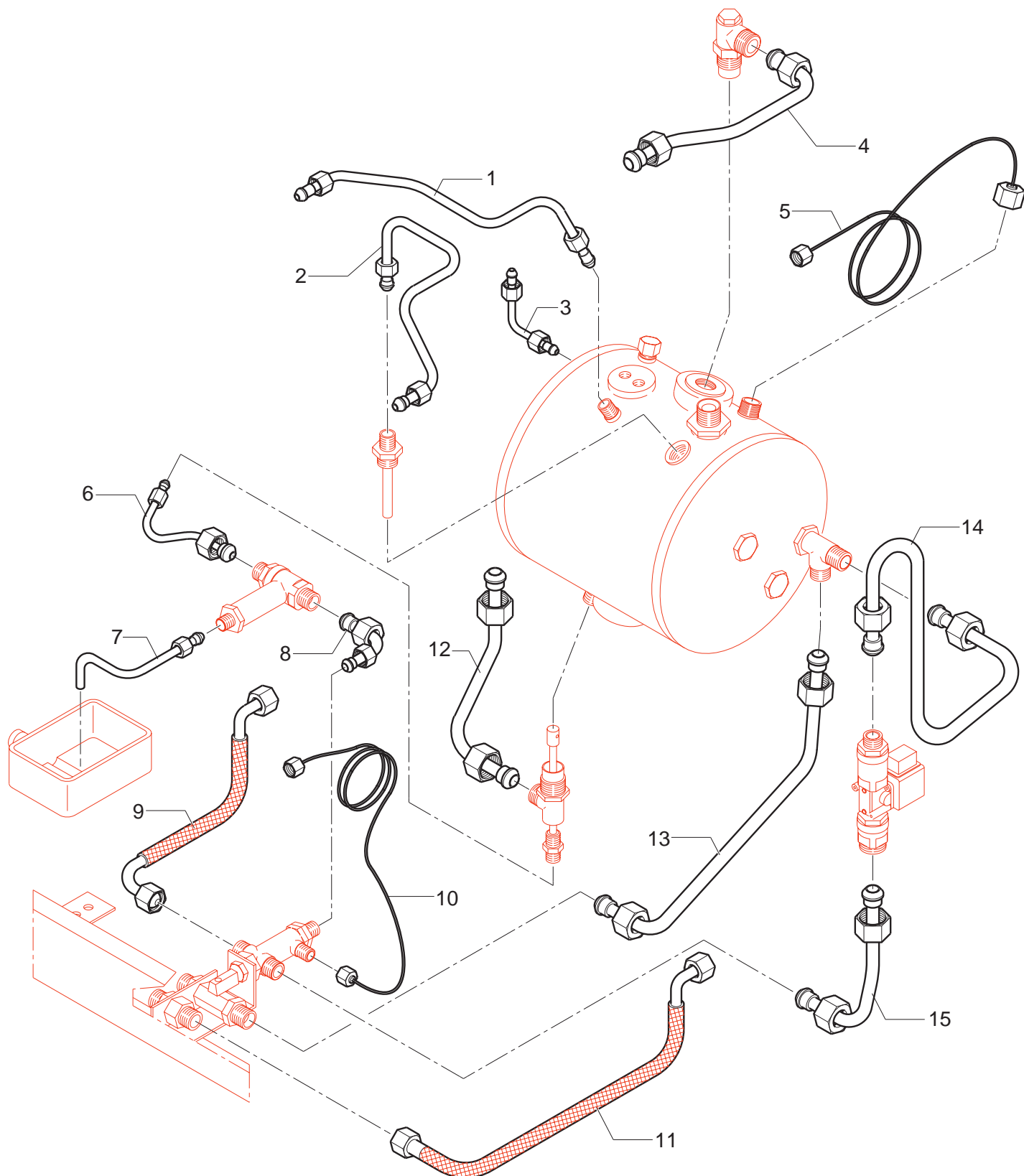
1 Gr. hose series

POS	DESCRIPTION	CODE	REFERENCE
01	STEAM TAP HOSE	5163064LL.....	06.16.00.270
02	WATER TAP HOSE	5163056LL.....	06.16.00.233
03	PRESSOSTAT HOSE.....	5162058LL.....	06.16.00.024
04	UPPER HEATING HOSE	5164022LL.....	06.16.00.011
05	STEAM PRESSURE GAUGE CAPILLARY.....	7400901LA	-
06	MANIFOLD HOSE	5162080LL.....	06.16.00.113
07	DRAIN HOSE	5162081LL.....	06.16.00.205
08	PRE-VALVE HOSE.....	5163053LL.....	06.16.00.033
09	FLEXIBLE HOSE L=255	7200506.....	F 1171
10	PRESSURE GAUGE CAPILLARY	7400901.....	-
11	FLEXIBLE HOSE L=350	7200505.....	F 1170
12	BOTTOM HEATING HOSE	5164021LL.....	06.16.00.244
13	BOILER DRAIN HOSE.....	5164011LL.....	06.16.00.167
14	OUTLET HOSE L/A	5164006LL.....	06.16.00.194
15	INLET AUTOMATIC LEVEL HOSE	5164007LL.....	06.16.00.105

Mod. B2000PM
B2000MN
B2000TE
B2000TP
B2000TPNT

1 Gr. hose series

BEZZERA
dal 1901





BEZZERA
dal 1901

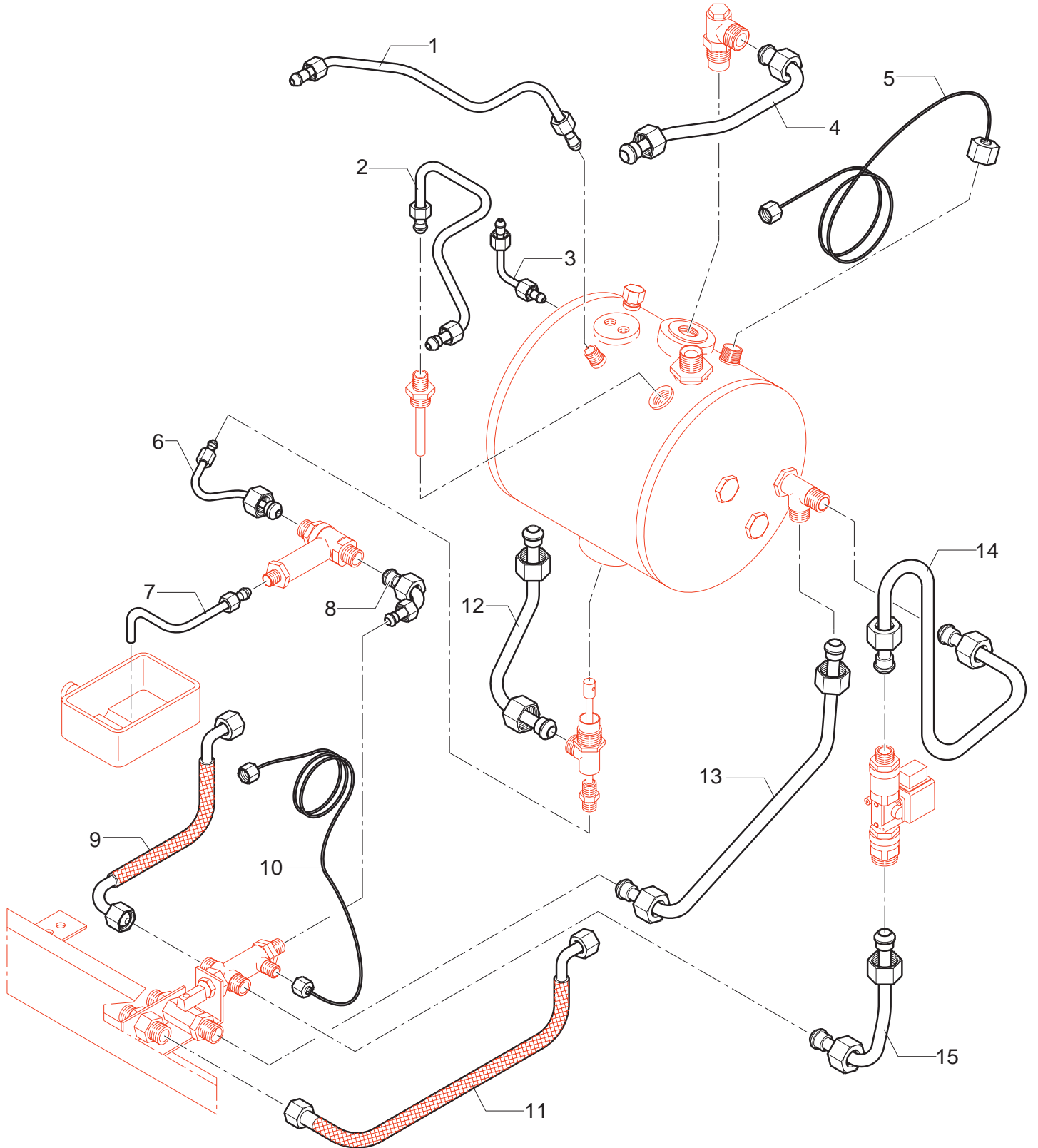
1 Gr. hose series - 1/2" gas

POS	DESCRIPTION	CODE	REFERENCE
01	STEAM TAP HOSE	5163064LL.....	06.16.00.270
02	WATER TAP HOSE	5163056LL.....	06.16.00.233
03	PRESSOSTAT HOSE.....	5162058LL.....	06.16.00.024
04	UPPER EXCHANGER HOSE 1GR	5165008LL.....	-
05	STEAM PRESSURE GAUGE CAPILLARY.....	7400901LA	-
06	MANIFOLD HOSE	5162080LL.....	06.16.00.113
07	DRAIN HOSE.....	5162081LL.....	06.16.00.205
08	PRE-VALVE HOSE.....	5163053LL.....	06.16.00.033
09	FLEXIBLE HOSE L=255	7200506.....	F 1171
10	PRESSURE GAUGE CAPILLARY	7400901	-
11	FLEXIBLE HOSE L=350	7200505.....	F 1170
12	BOTTOM EXCHANGER HOSE 1GR.....	5165001LL.....	-
13	BOILER DRAIN HOSE.....	5164011LL.....	06.16.00.167
14	OUTLET HOSE L/A	5164006LL.....	06.16.00.194
15	INLET AUTOMATIC LEVEL HOSE	5164007LL.....	06.16.00.105

Mod. B2000DE
B2000PM
B2000MN
B2000TE
B2000TP
B2000TPNT

1 Gr. hose series - 1/2" gas

BEZZERA
dal 1901



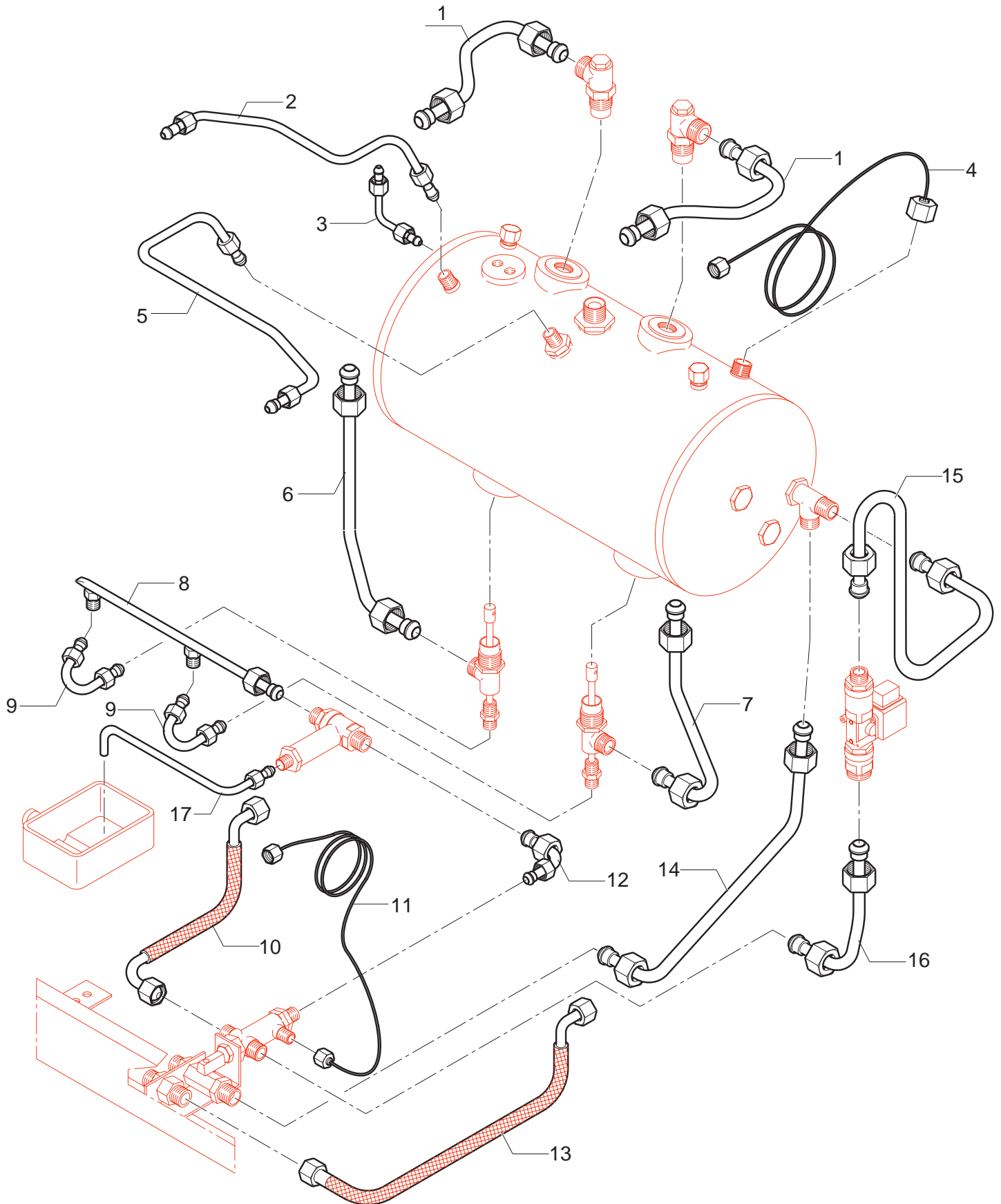


POS	DESCRIPTION	CODE	REFERENCE
01	UPPER RIGHT/LEFT HEATING HOSE	5164018LL.....	06.16.00.066
02	STEAM TAP HOSE	5163064LL.....	06.16.00.270
03	PRESSOSTAT HOSE.....	5162058LL.....	06.16.00.024
04	STEAM PRESSURE GAUGE CAPILLARY.....	7400901LA	-
05	RIGHT WATER TAP HOSE	5163054LL.....	06.16.00.272
06	BOTTOM LEFT HEATING HOSE.....	5164019LL.....	06.16.00.059
07	BOTTOM RIGHT HEATING HOSE	5164020LL.....	06.16.00.058
08	MANIFOLD HOSE	5163055LL.....	06.16.00.086
09	LITTLE MANIFOLD HOSE.....	5162077LL.....	06.16.00.083
10	FLEXIBLE HOSE L=255	7200506.....	F 1171
11	PRESSURE GAUGE CAPILLARY	7400901	-
12	PRE-VALVE HOSE.....	5163053LL.....	06.16.00.033
13	FLEXIBLE HOSE L=350	7200505.....	F 1170
14	BOILER DRAIN HOSE.....	5164011LL.....	06.16.00.167
15	OUTLET HOSE L/A	5164006LL.....	06.16.00.194
16	INLET AUTOMATIC LEVEL HOSE	5164007LL.....	06.16.00.105
17	DRAIN HOSE.....	5162079LL.....	06.16.00.214

Mod. B2000PM
B2000MN
B2000TE
B2000TP
B2000TPNT

2 Gr. hose series

BEZZERA
dal 1901





BEZZERA
dal 1901

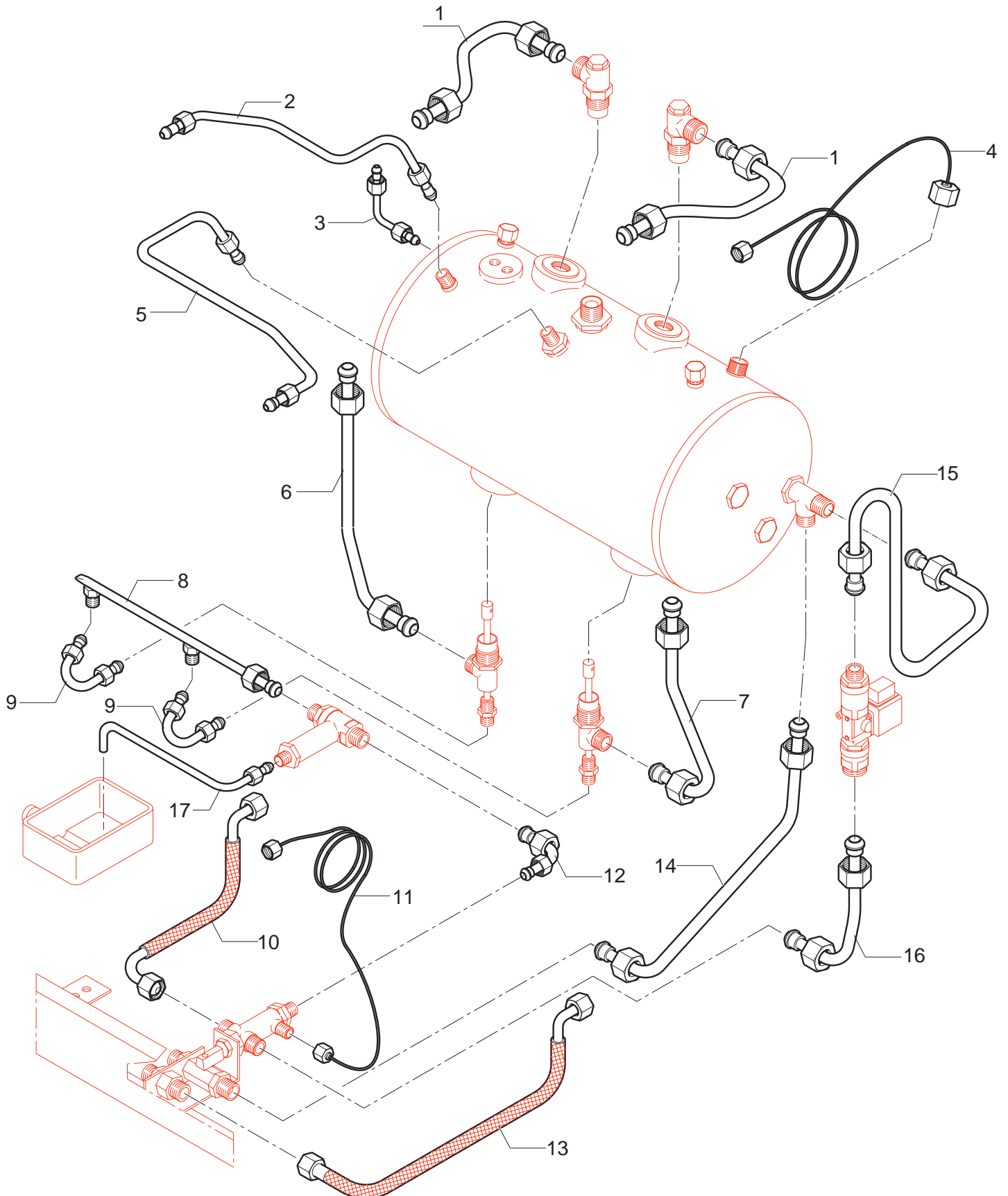
2 Gr. hose series - 1/2" gas

POS	DESCRIPTION	CODE	REFERENCE
01	UPPER EXCHANGER HOSE 1ST GROUP (2-3-4GR)	5165009LL.....	-
02	STEAM TAP HOSE	5163064LL.....	06.16.00.270
03	PRESSOSTAT HOSE	5162058LL.....	06.16.00.024
04	STEAM PRESSURE GAUGE CAPILLARY	7400901LA	-
05	RIGHT WATER TAP HOSE	5163054LL.....	06.16.00.272
06	BOTTOM LEFT HEATING HOSE	5165015LL.....	06.16.00.070
07	BOTTOM RIGHT HEATING HOSE	5165016LL.....	06.16.00.065
08	MANIFOLD HOSE	5163055LL.....	06.16.00.086
09	LITTLE MANIFOLD HOSE	5162077LL.....	06.16.00.083
10	FLEXIBLE HOSE L=255	7200506.....	F 1171
11	PRESSURE GAUGE CAPILLARY	7400901	-
12	PRE-VALVE HOSE	5163053LL.....	06.16.00.033
13	FLEXIBLE HOSE L=350	7200505.....	F 1170
14	BOILER DRAIN HOSE	5164011LL.....	06.16.00.167
15	OUTLET HOSE L/A	5164006LL.....	06.16.00.194
16	INLET AUTOMATIC LEVEL HOSE	5164007LL.....	06.16.00.105
17	DRAIN HOSE	5162079LL.....	06.16.00.214

Mod. B2000PM
B2000MN
B2000TE
B2000TP
B2000TPNT

2 Gr. hose series - 1/2" gas

BEZZERA
dal 1901





BEZZERA
dal 1901

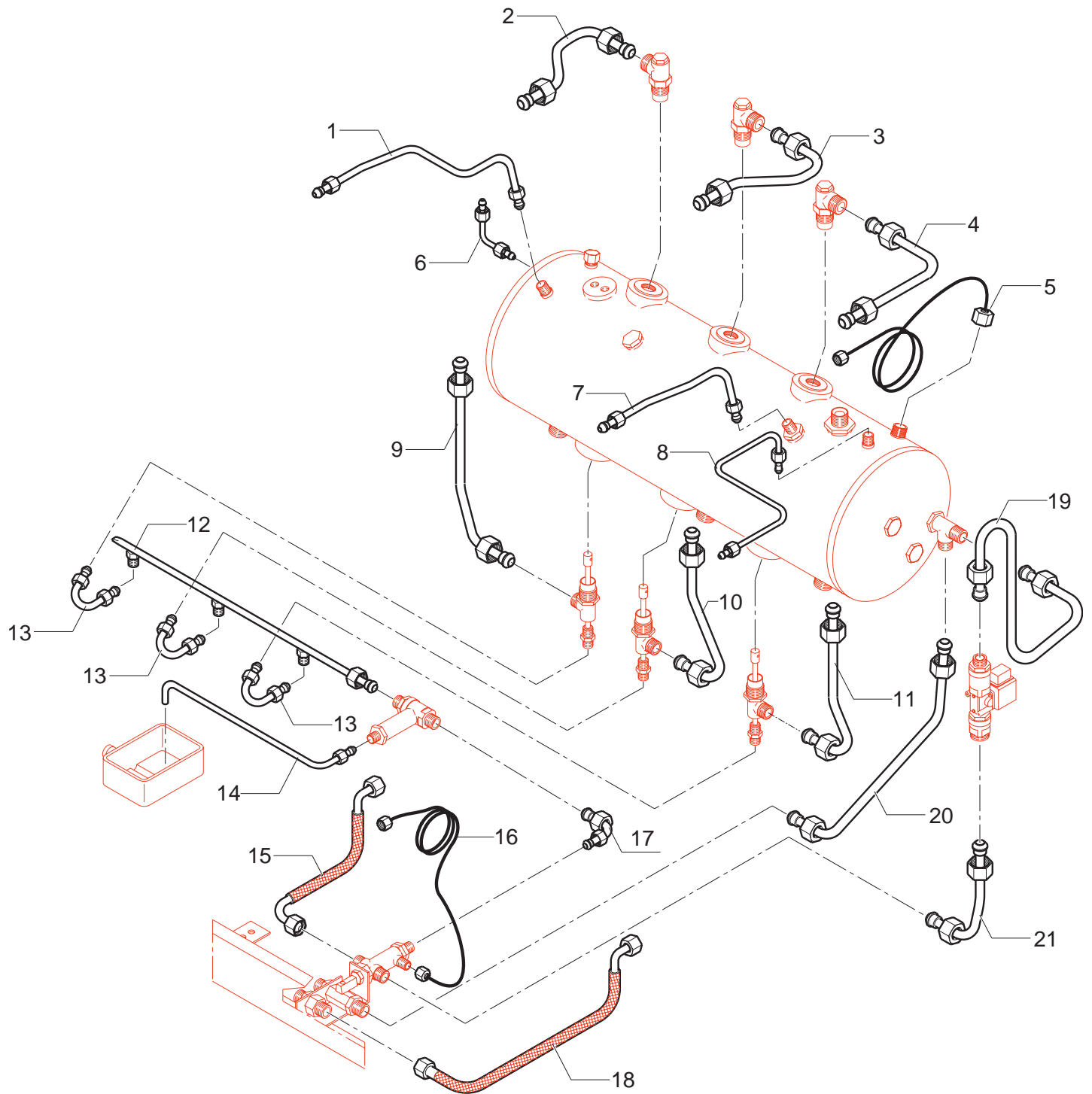
3 Gr. hose series

POS	DESCRIPTION	CODE	REFERENCE
01	STEAM TAP HOSE	5163064LL.....	06.16.00.270
02	UPPER LEFT HEATING HOSE	5164023LL.....	06.16.00.028
03	UPPER CENTRAL HEATING HOSE	5164024LL.....	06.16.00.060
04	UPPER RIGHT HEATING HOSE	5164025LL.....	06.16.00.061
05	STEAM PRESSURE GAUGE CAPILLARY.....	7400901LA	-
06	PRESSOSTAT HOSE.....	5162058LL.....	06.16.00.024
07	CENTRAL WATER TAP HOSE.....	5163105LL.....	06.16.00.228
08	RIGHT STEAM TAP HOSE	5163090LL.....	06.16.00.255
09	BOTTOM LEFT HEATING HOSE.....	5164026LL.....	06.16.00.016
10	BOTTOM CENTRAL HEATING HOSE.....	5164027LL.....	06.16.00.014
11	BOTTOM RIGHT HEATING HOSE	5164028LL.....	06.16.00.017
12	MANIFOLD HOSE	5163058LL.....	06.16.00.079
13	LITTLE MANIFOLD HOSE.....	5162077LL.....	06.16.00.083
14	DRAIN HOSE.....	5162082LL.....	06.16.00.214
15	FLEXIBLE HOSE L=255	7200506.....	F 1171
16	PRESSURE GAUGE CAPILLARY	7400901	-
17	PRE-VALVE HOSE.....	5163053LL.....	06.16.00.033
18	FLEXIBLE HOSE L=350	7200505.....	F 1170
19	OUTLET HOSE L/A	5164006LL.....	06.16.00.194
20	BOILER DRAIN HOSE.....	5164011LL.....	06.16.00.167
21	INLET AUTOMATIC LEVEL HOSE	5164007LL.....	06.16.00.105

Mod. B2000PM
B2000MN
B2000TE
B2000TP
B2000TPNT

3 Gr. hose series

BEZZERA
dal 1901





BEZZERA
dal 1901

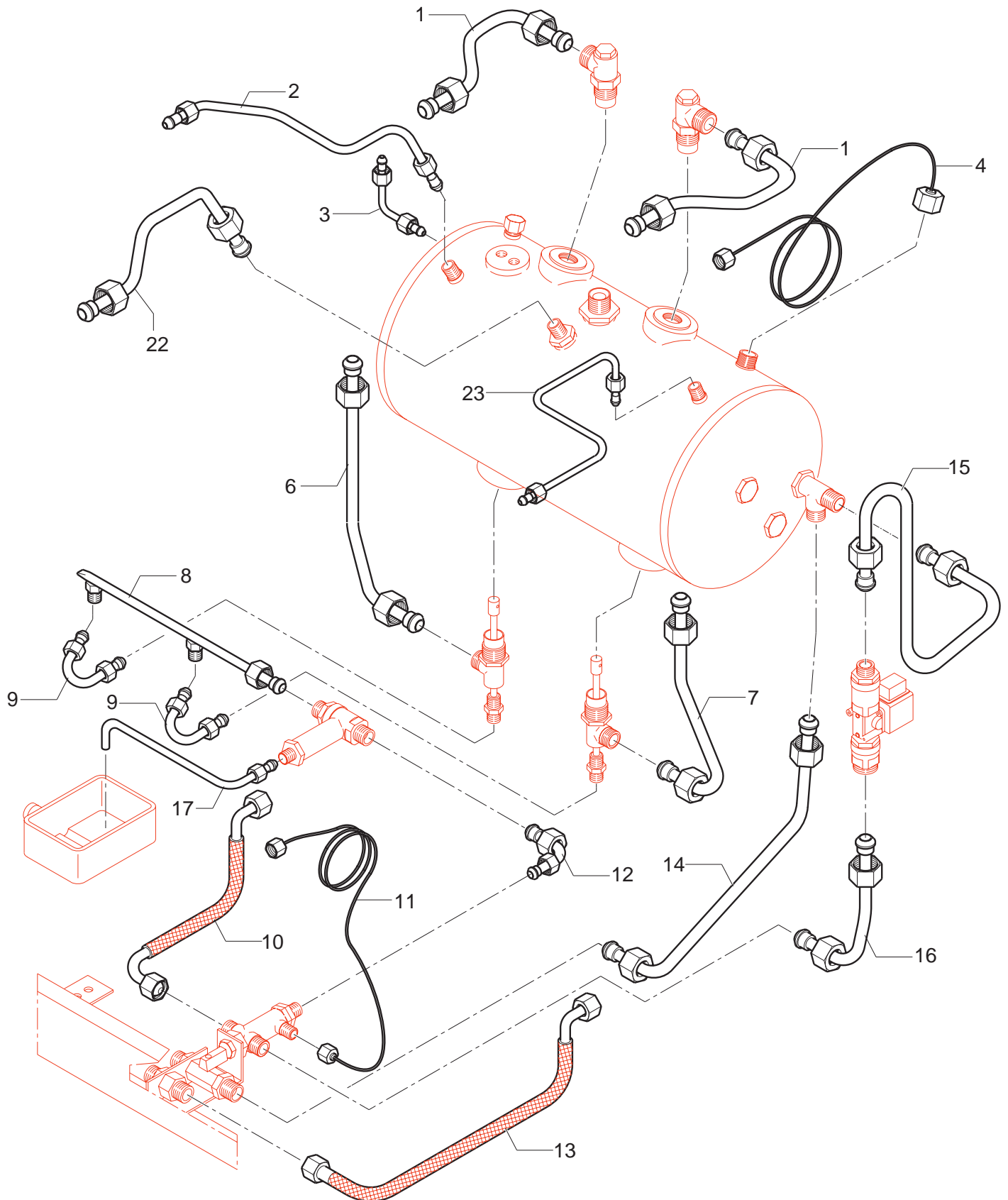
2 Gr. hose series - 3° drink

POS	DESCRIPTION	CODE	REFERENCE
01	UPPER RIGHT/LEFT HEATING HOSE	5164018LL.....	06.16.00.066
02	STEAM TAP HOSE	5163064LL.....	06.16.00.270
03	PRESSOSTAT HOSE.....	5162058LL.....	06.16.00.024
04	STEAM PRESSURE GAUGE CAPILLARY.....	7400901LA	-
06	BOTTOM LEFT HEATING HOSE.....	5164019LL.....	06.16.00.059
07	BOTTOM RIGHT HEATING HOSE	5164020LL.....	06.16.00.058
08	MANIFOLD HOSE	5163055LL.....	06.16.00.086
09	LITTLE MANIFOLD HOSE.....	5162077LL.....	06.16.00.083
10	FLEXIBLE HOSE L=255	7200506.....	F 1171
11	PRESSURE GAUGE CAPILLARY	7400901	-
12	PRE-VALVE HOSE.....	5163053LL.....	06.16.00.033
13	FLEXIBLE HOSE L=350	7200505.....	F 1170
14	BOILER DRAIN HOSE.....	5164011LL.....	06.16.00.167
15	OUTLET HOSE L/A	5164006LL.....	06.16.00.194
16	INLET AUTOMATIC LEVEL HOSE	5164007LL.....	06.16.00.105
17	DRAIN HOSE.....	5162079LL.....	06.16.00.214
22	CENTRAL WATER TAP HOSE.....	5163105LL.....	06.16.00.228
23	RIGHT STEAM TAP HOSE	5163090LL.....	06.16.00.255

Mod. B2000PM
B2000MN
B2000TE
B2000TP
B2000TPNT

2 Gr. hose series- 3° drink

BEZZERA
dal 1901





BEZZERA
dal 1901

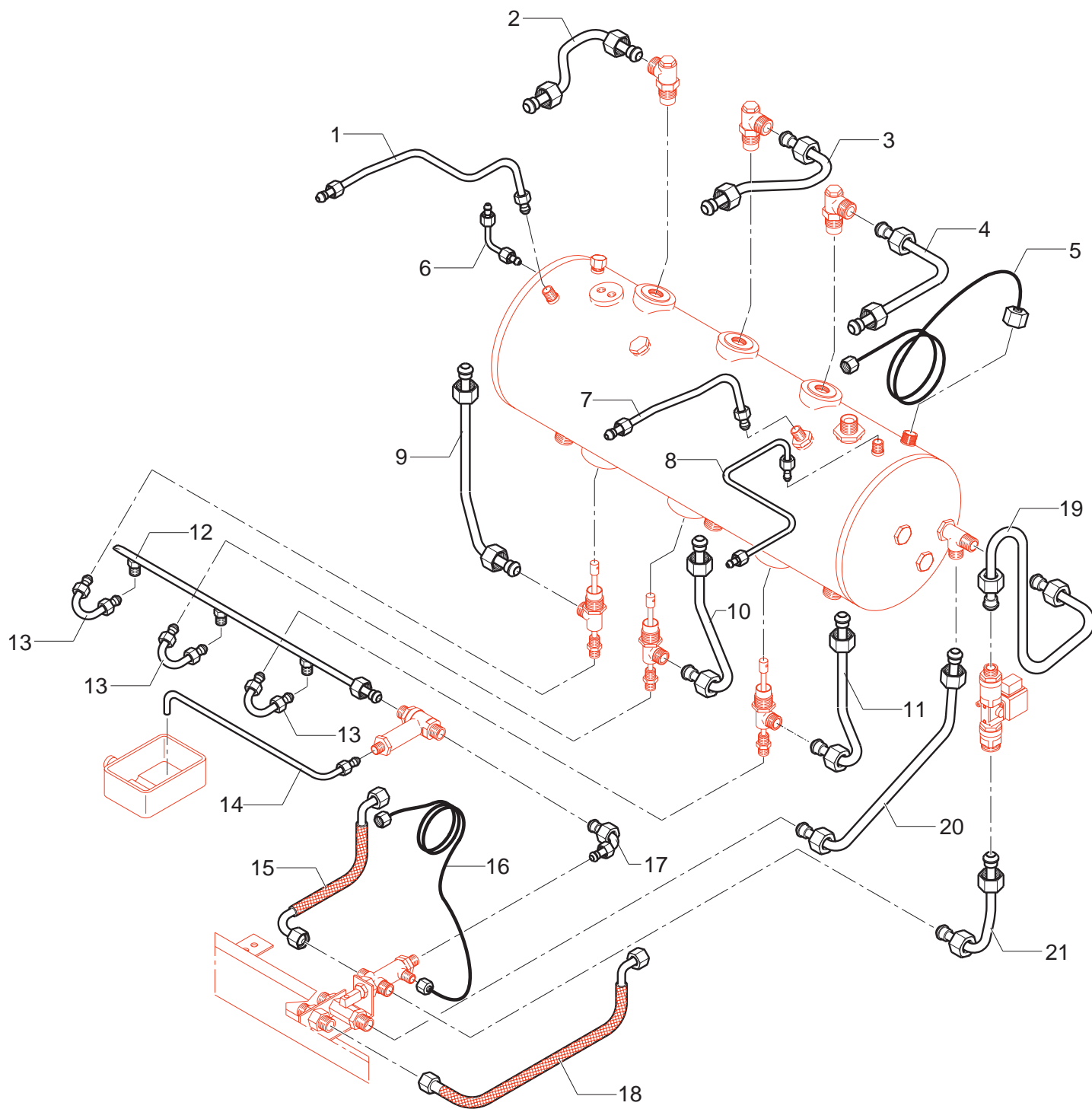
3 Gr. hose series - 1/2" gas

POS	DESCRIPTION	CODE	REFERENCE
01	STEAM TAP HOSE	5163064LL.....	06.16.00.270
02	UPPER LEFT HEATING HOSE	5165017LL.....	06.16.00.051
03	UPPER EXCHANGER HOSE 1ST GROUP (2-3-4GR).....	5165009LL.....	-
04	UPPER RIGHT HEATING HOSE	5165018LL.....	06.16.00.050
05	STEAM PRESSURE GAUGE CAPILLARY.....	7400901LA	-
06	PRESSOSTAT HOSE.....	5162058LL.....	06.16.00.024
07	CENTRAL WATER TAP HOSE.....	5163105LL.....	06.16.00.228
08	RIGHT STEAM TAP HOSE	5163090LL.....	06.16.00.255
09	BOTTOM LEFT HEATING HOSE.....	5165015LL.....	06.16.00.070
10	BOTTOM RIGHT HEATING HOSE	5165016LL.....	06.16.00.065
11	BOTTOM RIGHT HEATING HOSE	5165019LL.....	06.16.00.039
12	MANIFOLD HOSE	5163058LL.....	06.16.00.079
13	LITTLE MANIFOLD HOSE.....	5162077LL.....	06.16.00.083
14	DRAIN HOSE.....	5162082LL.....	06.16.00.214
15	FLEXIBLE HOSE L=255	7200506.....	F 1171
16	PRESSURE GAUGE CAPILLARY	7400901	-
17	PRE-VALVE HOSE.....	5163053LL.....	06.16.00.033
18	FLEXIBLE HOSE L=350	7200505.....	F 1170
19	OUTLET HOSE L/A	5164006LL.....	06.16.00.194
20	BOILER DRAIN HOSE.....	5164011LL.....	06.16.00.167
21	INLET AUTOMATIC LEVEL HOSE	5164007LL.....	06.16.00.105

Mod. B2000PM
B2000MN
B2000TE
B2000TP
B2000TPNT

3 Gr. hose series - 1/2" gas

BEZZERA
dal 1901





BEZZERA
dal 1901

4 Gr. hose series

POS	DESCRIPTION	CODE	REFERENCE
01	UPPER CENTRAL HEATING HOSE	5164012LL.....	06.16.00.052
02	UPPER LEFT HEATING HOSE	5164013LL.....	06.16.00.055
03	PRESSOSTAT HOSE.....	5162058LL.....	06.16.00.024
04	LEFT STEAM TAP HOSE.....	5163049LL.....	06.16.00.697
05	WATER TAP HOSE	5163050LL.....	06.16.00.696
06	UPPER RIGHT HEATING HOSE	5163051LL.....	06.16.00.054
07	STEAM PRESSURE GAUGE CAPILLARY.....	7400901LA	-
08	BOTTOM LEFT HEATING HOSE.....	5164014LL.....	06.16.00.064
09	BOTTOM CENTRAL LEFT HEATING HOSE.....	5164015LL.....	06.16.00.047
10	BOTTOM CENTRAL RIGHT HEATING HOSE	5164016LL.....	06.16.00.075
11	BOTTOM RIGHT HEATING HOSE	5164017LL.....	06.16.00.045
12	MANIFOLD HOSE	5163052LL.....	06.16.00.081
13	LITTLE MANIFOLD HOSE.....	5162077LL.....	06.16.00.083
14	DRAIN HOSE.....	5162078LL.....	06.16.00.695
15	FLEXIBLE HOSE L=255	7200506.....	F 1171
16	PRESSURE GAUGE CAPILLARY	7400901	-
17	PRE-VALVE HOSE.....	5163053LL.....	06.16.00.033
18	FLEXIBLE HOSE L=350	7200505.....	F 1170
19	BOILER DRAIN HOSE.....	5164011LL.....	06.16.00.167
20	OUTLET HOSE L/A	5164006LL.....	06.16.00.194
21	INLET AUTOMATIC LEVEL HOSE	5164007LL.....	06.16.00.105
22	RIGHT STEAM TAP HOSE	5163090LL.....	06.16.00.255

Mod. B2000PM
B2000MN
B2000TE
B2000TP
B2000TPNT

4 Gr. hose series

BEZZERA
dal 1901

